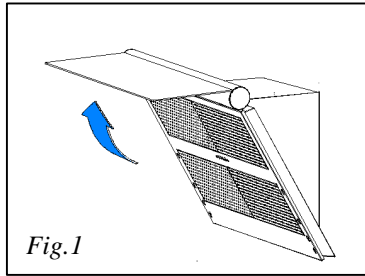


Libretto d'istruzioni
Instruction manual
Mode d'emploi
Gebrauchsanweisung
Manual de instrucciones
Instruções de instalação
Gebruiksaanwijzingen
Bruksanvisning

KTS75/KTS75C

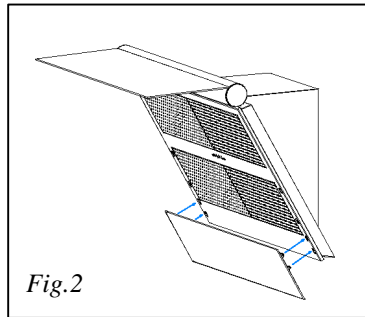
Installation of glass panels



Take the two 200x750 hood glass panels out of the box.

Remove them from the box with care.

Open the hood upper glass panel (*Fig.1*).



Take the glass panel with the SMEG logo close to the hood and centre the four hinges in their seats (*Fig.2*).

Let the glass panel slide downwards along the pin guides (*Fig.3.2*).

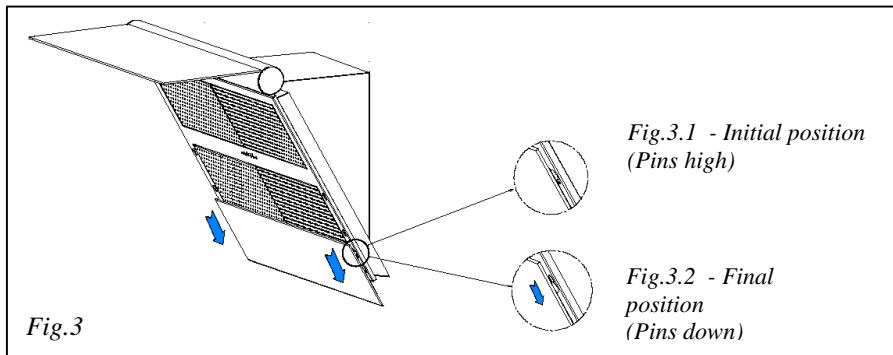


Fig.3.1 - Initial position (Pins high)

Fig.3.2 - Final position (Pins down)

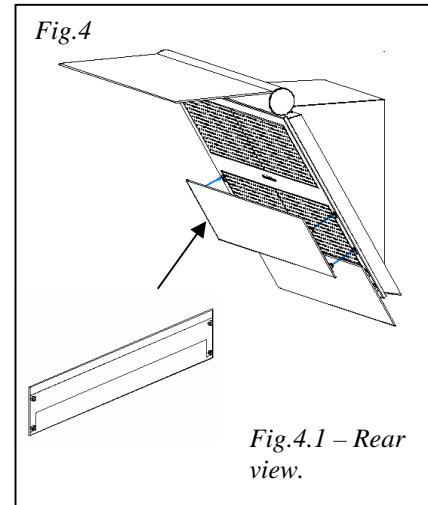
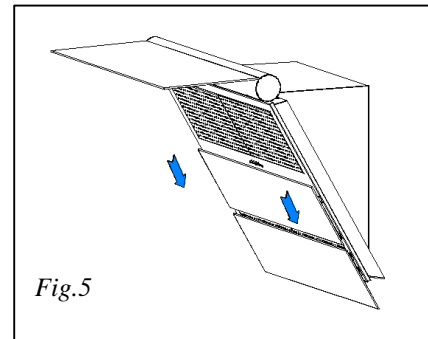


Fig.4.1 - Rear view.

Get the glass panel with no logo and place it near the hood ², centre the four pins in the remaining four hood seats (*Fig.4*).

(2) For proper positioning, check the position of the metal frame on the back (*Fig.4.1*).

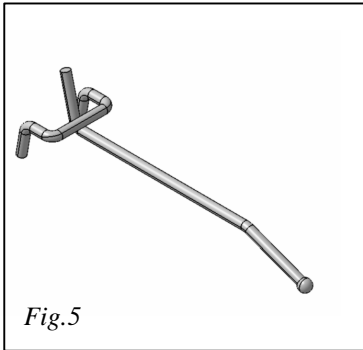


Let the glass panel slide along the pin guides (*Fig.5* and *Fig.3.2*)

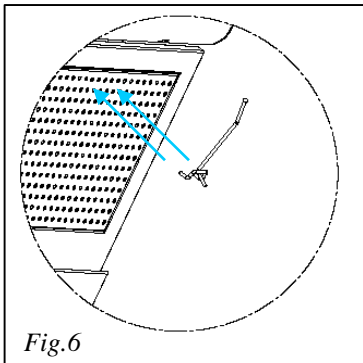
Glass removal

To remove the glass panels, follow the procedure in the reverse order.

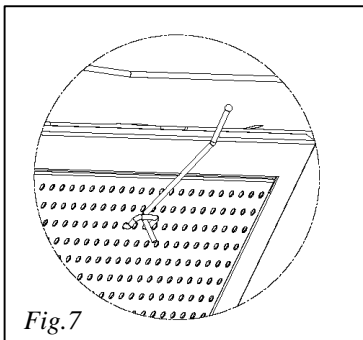
Removal of filter panels



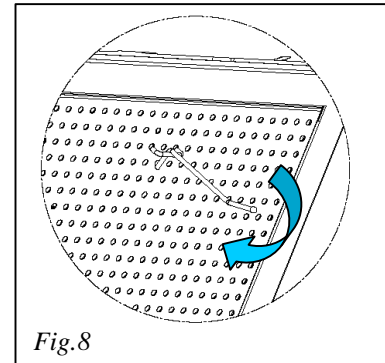
To remove the filters, use the key included in the supply (Fig.5).



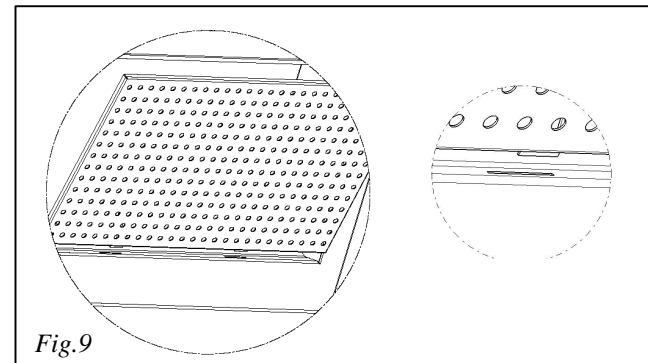
Place the key as shown in Fig.6.



Insert the key prongs in the holes on the upper central part of the panel (Fig.7).



Turn the key downwards and pull (Fig.8).



Pull the panels up to remove them (Fig.9).

NB.: To remove the upper panel pair, remove the glass panels as described on page 2 .

Installation of the filter panels

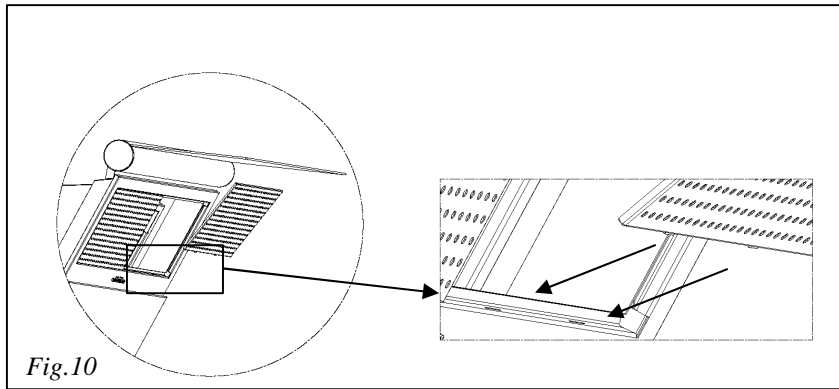


Fig.10

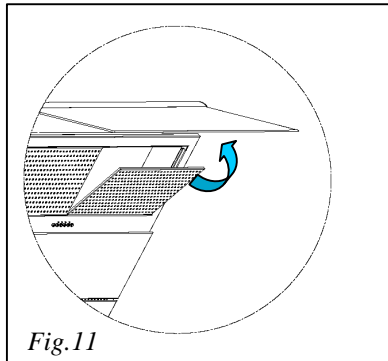


Fig.11

Take the panels close to the hood.

Insert the filter pins in the seats as shown in Fig.10

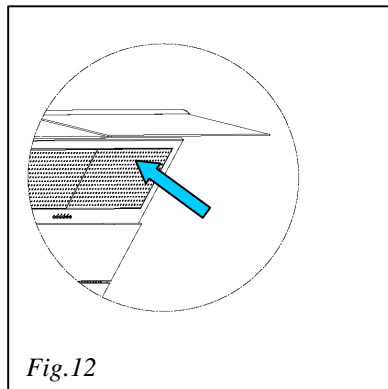


Fig.12

Rotate the panels and take them close to the hood (Fig.11 and Fig.12).

Adjustment of glass-closed position

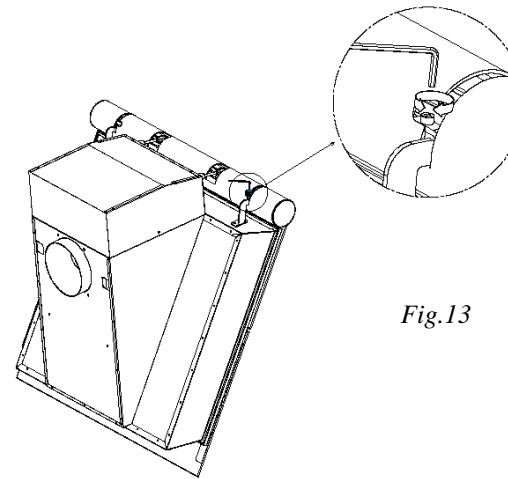


Fig.13

Adjust the glass closed position after installing the hood.

Adjust the closing position of the glass by loosening/tightening the adjustment screws.

Adjust the LH and RH sides.

Use a size-3 Allen key for the adjustment (Fig.13).

Installation instructions

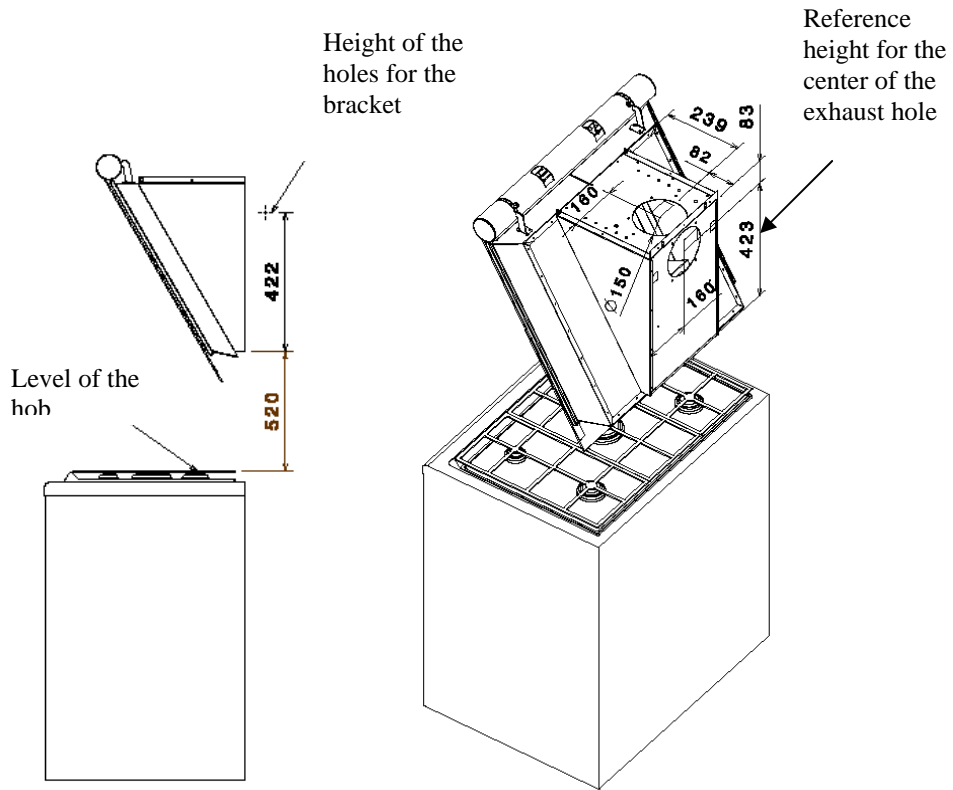


Fig.14

Fig.15

- a) Fix the hood in the center over the hob;
- b) Maintain the distances shown at fig. 14 and fig. 15.