

FR	Prescriptions de montage et mode d'emploi
CS	Návod na montáž a používání
DA	Bruger- og monteringsvejledning
DE	Montage- und Gebrauchsanweisung
EL	ΟΔΗΓΙΕΣ ΣΥΝΑΡΜΟΛΟΓΗΣΗΣ ΚΑΙ ΧΡΗΣΗΣ
EN	Instruction on mounting and use
ES	Montaje y modo de empleo
HU	Felszerelési és használati utasítás
IT	Istruzioni di montaggio e d'uso
NL	Montagevoorschriften en gebruiksaanwijzingen
PL	Instrukcja montażu i obsługi
PT	Instruções para montagem e utilização
SK	Návod k montáži a užití
SV	Monterings- och bruksanvisningar

Hotte aspirante

Digestoř

Emhætte

Dunstabzugshaube

Αποροφητήρας

Cooker Hood

Campana extractora

Konyhai páraelszívó

Cappa aspirante

Afzuigkap

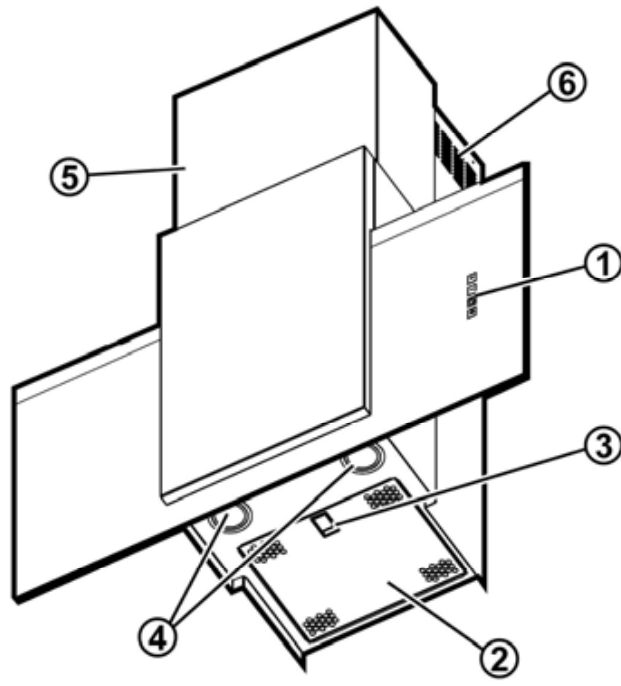
Okap kuchenny

Exaustor

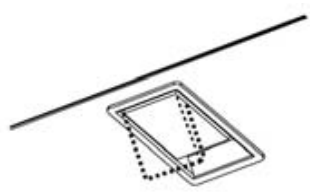
Odsávač pary

Köksfläkt

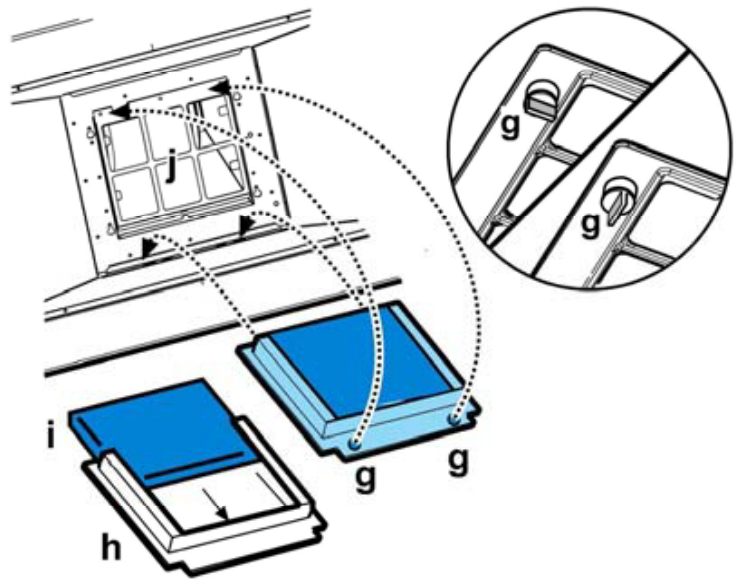




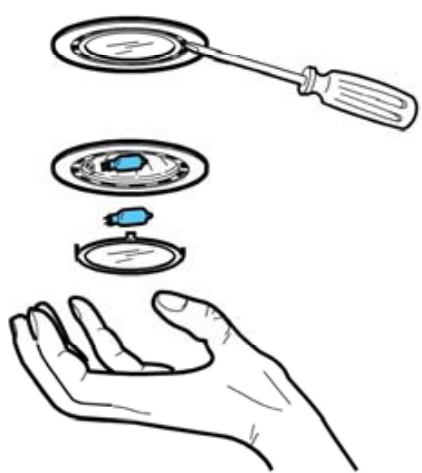
1



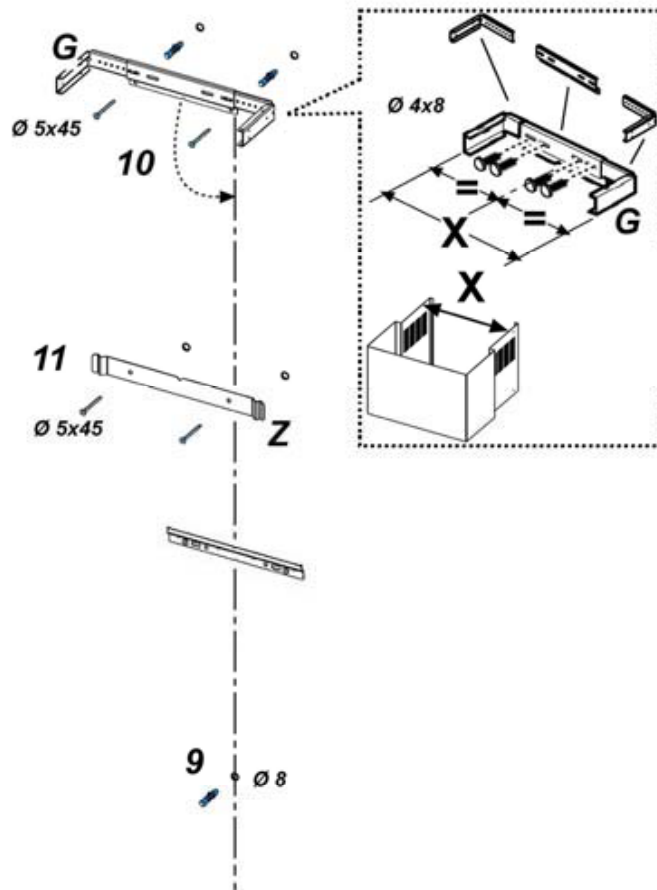
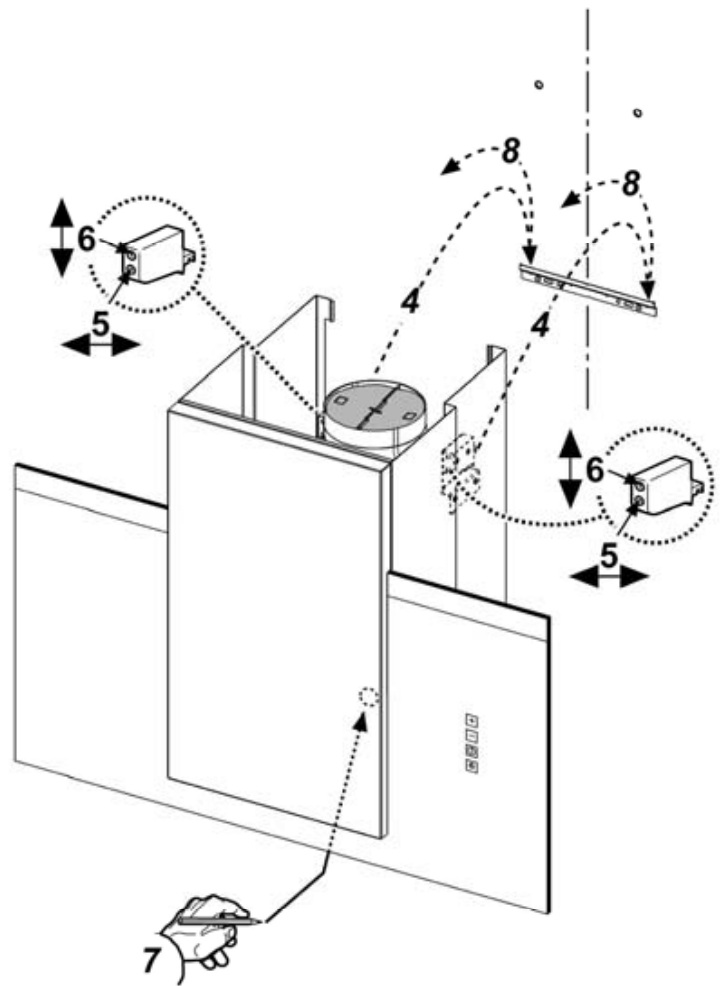
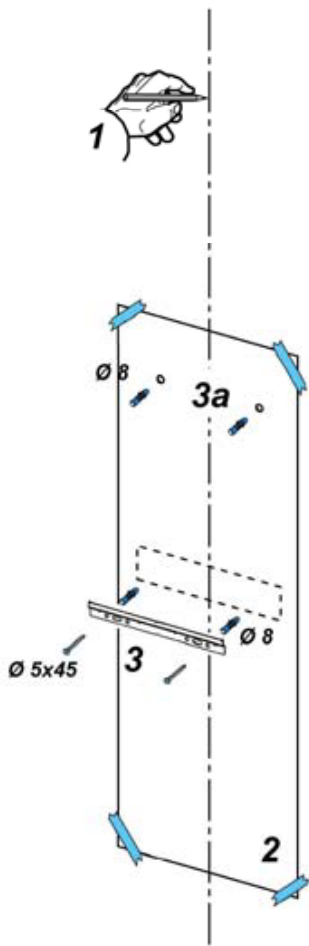
2

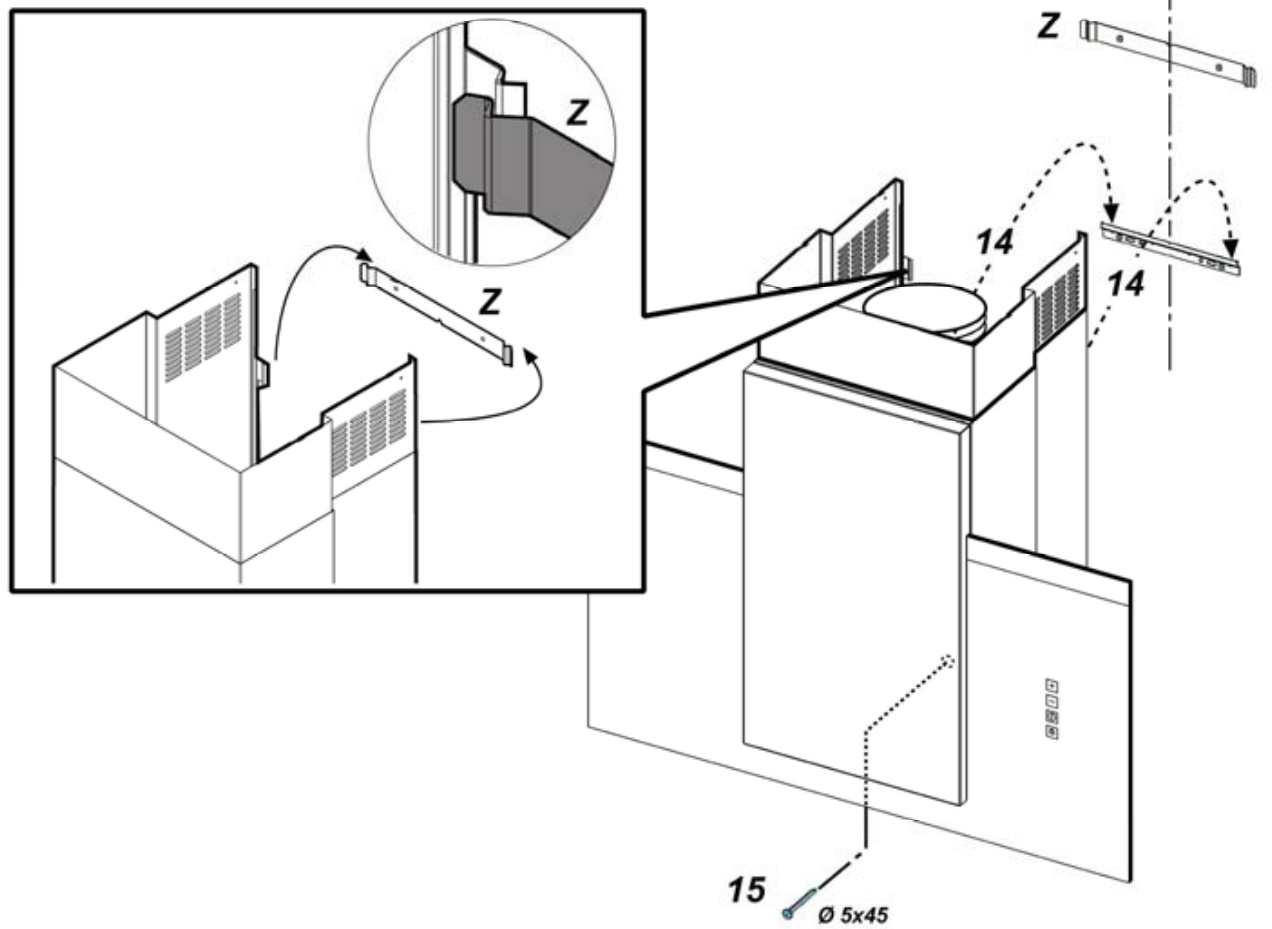
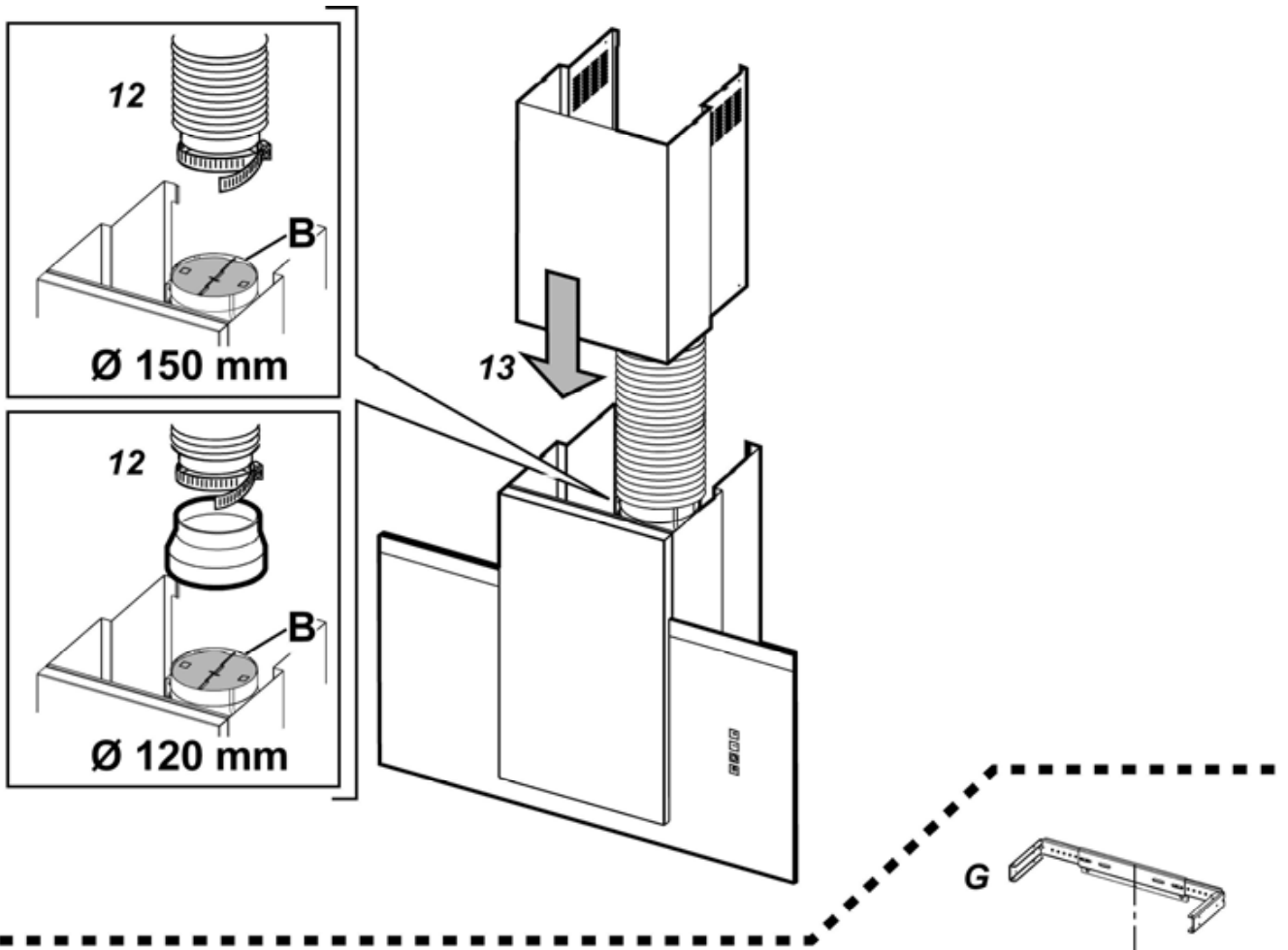


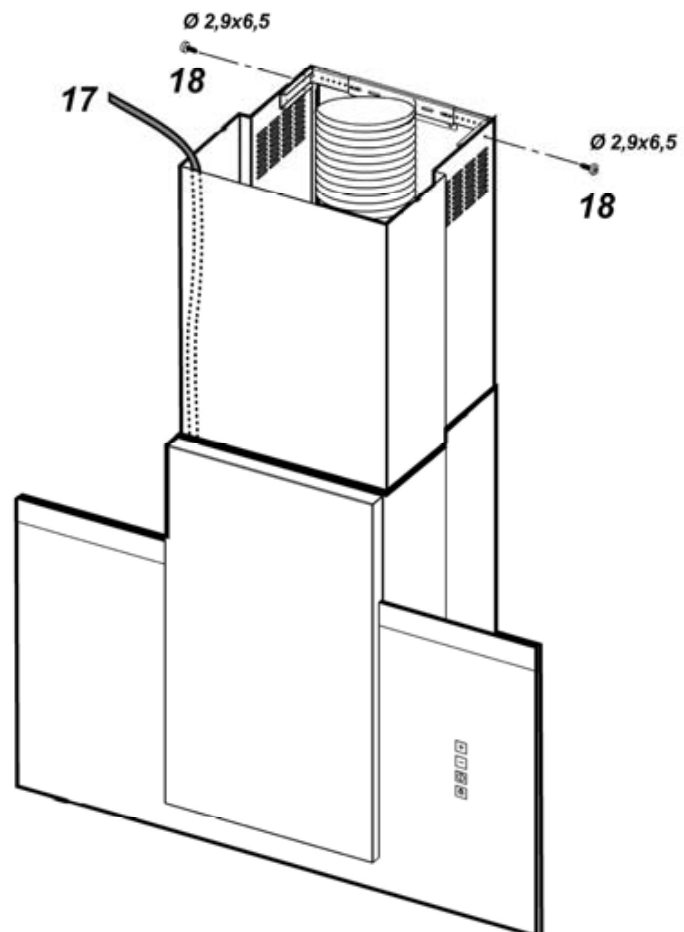
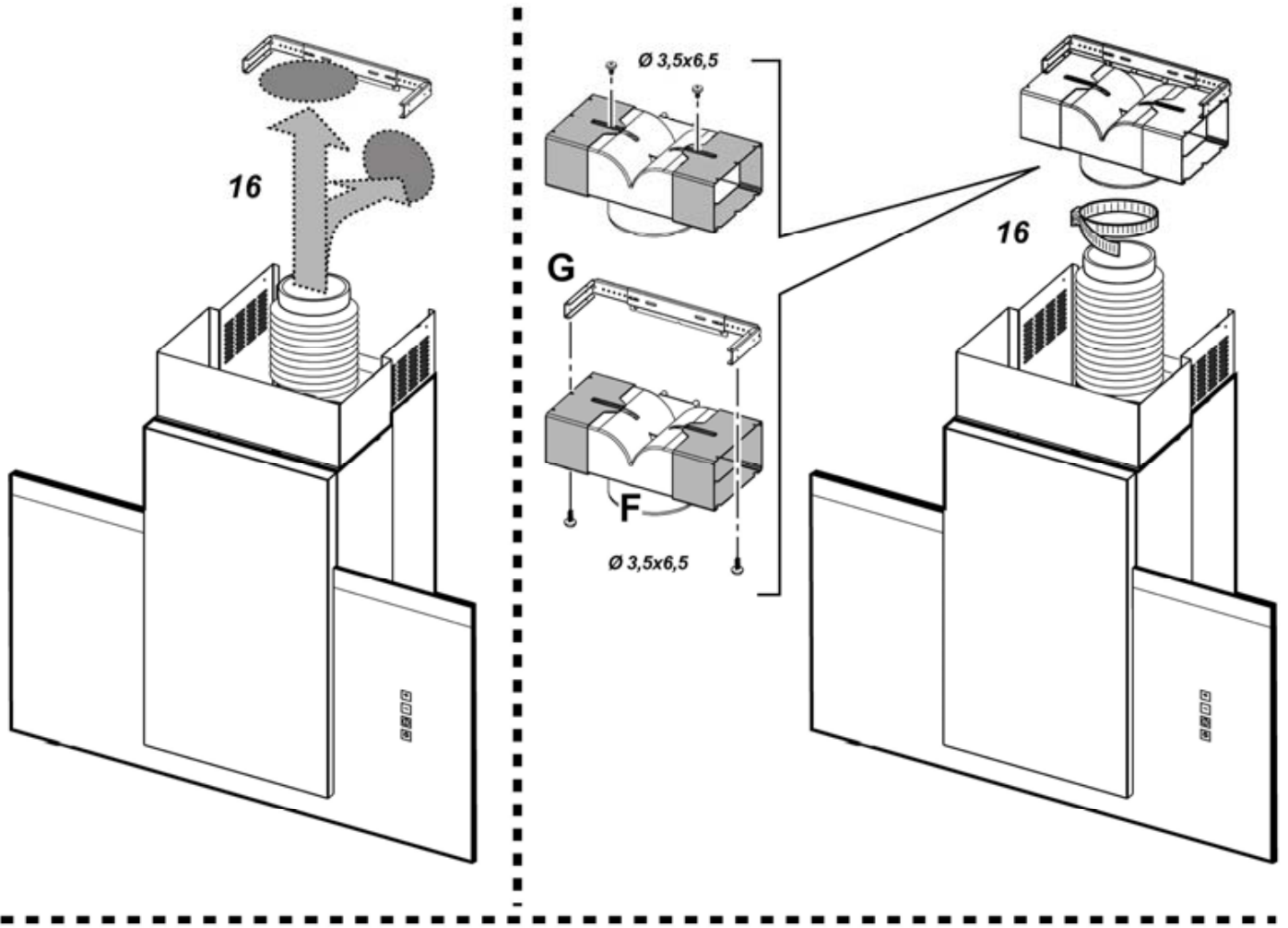
3\*



4







Dear Customer,

You have just acquired a **DE DIETRICH** hood, and we would like to thank you.

Our research teams have created this new generation of appliances for you. Their quality, design, features and technological advances make them exceptional products, and reveal our unique know-how.


Your new DE DIETRICH hood will blend harmoniously into your kitchen and will perfectly combine extraction performance and ease of use. We wanted to offer you a product of excellence.

In the DE DIETRICH product range, you will also find a wide choice of hobs, ovens, microwaves, dishwashers, cookers, fridges, freezers, that you can coordinate with your new DE DIETRICH hood.

Visit our website [www.dedietrich-electromanager.com](http://www.dedietrich-electromanager.com), where you will find our latest innovations as well as useful and complementary information.

## **DE DIETRICH Setting New Values**

As part of our commitment to constantly improving our products, we reserve the right to make changes to them based on technical advances to their technical and functional features and appearance.

 **Warning :** Before installing and using your appliance, please carefully read this Guide to Installation and Use, which will allow you to quickly familiarise yourself with its operation.

**[www.dedietrich-electromanager.com](http://www.dedietrich-electromanager.com)** 

## **Contents**

<b>EN - Instruction on mounting and use.....</b>	<b>41</b>
<b>Use.....</b>	<b>41</b>
<b>Description of the hood.....</b>	<b>41</b>
<b>Caution.....</b>	<b>41</b>
<b>Installation.....</b>	<b>41</b>
Electrical connection.....	42
Mounting.....	42
<b>Operation.....</b>	<b>43</b>
<b>Maintenance.....</b>	<b>43</b>
Cleaning.....	43
Grease filter.....	43
Charcoal filter (filter version only).....	44
Replacing lamps.....	44
<b>Troubleshooting.....</b>	<b>44</b>
<b>After-sales service.....</b>	<b>44</b>

## EN - Instruction on mounting and use

Consult the designs in the front pages referenced in the text by alphabet letters.

**Closely follow the instructions set out in this manual.** All responsibility, for any eventual inconveniences, damages or fires caused by not complying with the instructions in this manual, is declined.

**Note:** the elements marked with the symbol “(\*)” are optional accessories supplied only with some models or elements to purchase, not supplied.

### Use

The hood is conceived for the suction of cooking fumes and steam and is destined only for domestic use.

The hood is designed to be used either for exhausting or filter version.

### Ducting version

The hood is equipped with a top air outlet **B** for discharge of fumes to the outside (exhaust pipe and pipe fixing clamps not provided). **Fig. 6**

### Attention!

**If the hood is supplied with carbon filter, then it must be removed.**

### Filter version

Should it not be possible to discharge cooking fumes and vapour to the outside, the hood can be used in the **filter version**, fitting an activated carbon filter and the deflector **F** on the support (bracket) **G**, fumes and vapours are recycled through the top grille **H** by means of an exhaust pipe connected to the top air outlet **B** and the connection ring mounted on the deflector **F** (exhaust pipe and pipe fixing clamps not provided). **Fig. 6-7**

### Attention!

**If the hood is not supplied with carbon filter, then it must be ordered and mounted.**

### Description of the hood Fig. 1

1. Control panel
2. Grease filter
3. Grease filter release handle
4. Halogen lamp
5. Telescopic chimney
6. Air outlet (used for filter version only)



### Caution

Keep this use manual with your apparatus. If the apparatus has to be sold or ceded to someone else, make sure that this manual is also sent.

Read this manual carefully before installing or using your apparatus because it contains important information for your safety and for whoever installs or uses it.

This apparatus has been created to be installed in a kitchen and for normal domestic use.

Do not use it for commercial or industrial purposes or other purposes for which it was not created.

Do not modify or try to modify the characteristics of this apparatus. It would be dangerous for you.

Using over a fuel (wood, carbon) cooking top is not authorised.

If the filtering hood is installed in a kitchen heated by an apparatus connected to a fireplace (e.g. a stove), the filtering version of the hood must be installed. Do not use the hood without fat filters.

Do not use steam or pressure cleaning equipment on your apparatus (for reasons of electrical safety).

**WARNING!** Do not connect the appliance to the mains until the installation is fully complete.

Before any cleaning or maintenance operation, disconnect the hood from the mains by removing the plug or disconnecting the home mains switch.

The appliance is not intended for use by children or persons with impaired physical, sensorial or mental faculties, or if lacking in experience or know-how, unless they are under supervision or have been trained in the use of the appliance by a person responsible for their safety.

Children should be monitored to ensure that they do not play with the appliance.

Never use the hood without effectively mounted grating.!

The hood must NEVER be used as a support surface unless specifically indicated.

The premises must be sufficiently ventilated, when the kitchen hood is used together with other gas combustion devices or other fuels.

The suctioned air must not be conveyed into a conduit used for the disposal of the fumes generated by appliances that combust gases or other fuels.

The flaming of foods beneath the hood itself is severely prohibited.

The use of exposed flames is detrimental to the filters and may cause a fire risk, and must therefore be avoided in all circumstances.

Any frying must be done with care in order to make sure that the oil does not overheat and burst into flames.

As regards the technical and safety measures to be adopted for fume discharging it is important to closely follow the relations provided by the competent authorities.

The hood must be regularly cleaned on both the inside and outside (AT LEAST ONCE A MONTH, it is in any event necessary to proceed in accordance with the maintenance instructions provided in this manual)..

Failure to follow the instructions as concerns hood and filter cleaning will lead to the risk of fires.

Do not use or leave the hood without the lamp correctly mounted because of the possible risk of electric shocks.

We decline any responsibility for any problems, damage or fires caused to the appliance as the result of the non-observance of the instructions included in this manual.

### Installation

The minimum distance between the supporting surface for the cooking vessels on the hob and the lowest part of the range hood must be not less than 50cm from electric cookers and



65cm from gas or mixed cookers.

If the instructions for installation for the gas hob specify a greater distance, this must be adhered to.



### Electrical connection

The mains power supply must correspond to the rating indicated on the plate situated inside the hood. If provided with a plug connect the hood to a socket in compliance with current regulations and positioned in an accessible area. If it not fitted with a plug (direct mains connection) or if the plug is not located in an accessible area apply a bi-polar switch in accordance with standards which assures the complete disconnection of the mains under conditions relating to over-current category III, in accordance with installation instructions.

**Warning:** Before re-connecting the hood circuit to the mains supply and checking the efficient function, always check that the mains cable is correctly assembled.

### Mounting Fig. 5-6-7

#### Before beginning installation:

- Check that the product purchased is of a suitable size for the chosen installation area.
- To facilitate installation, remove the fat filters and the other parts allowed and described here, dismantle and mount it.  
To remove see also the relative paragraphs.
- Remove the active carbon (\*) filter/s if supplied (see also relative paragraph). This/these is/are to be mounted only if you want to use the hood in the filtering version.
- Check (for transport reasons) that there is no other supplied material inside the hood (e.g. packets with screws (\*), guarantees (\*), etc.), eventually removing them and keeping them.
- If possible, disconnect and move freestanding or slide-in range from cabinet opening to provide easier access to rear wall/ceiling. Otherwise put a thick, protective covering over countertop, cooktop or range to protect from damage and debris. Select a flat surface for assembling the unit. Cover that surface with a protective covering and place all canopy hood parts and hardware in it.
- Disconnect the hood during electrical connection, by turning the home mains switch off.
- In addition check whether near the installation area of the hood (in the area accessible also with the hood mounted) an electric socket is available and it is possible to connect a fumes discharge device to the outside (only suction version).
- Carry out all the masonry work necessary (e.g. installation of an electric socket and/or a hole for the passage of the discharge tube).

Expansion wall plugs are provided to secure the hood to most types of walls/ceilings. However, a qualified technician must verify suitability of the materials in accordance with the type of wall/ceiling. The wall/ceiling must be strong enough to take the weight of the hood. **Do not tile, grout or silicone this appliance to the wall. Surface mounting only.**

### Attention! The chimney is predisposed for installation of the filter Version.

In certain models where it is required to use the cooker hood in the suction version then it is possible to overturn the upper section of the chimney

and insert it inside the lower section of the chimney so that the air-exit perforations are not visible.

The chimneys in which this operation is possible are recognizable by their bracket fixing points **G** which are repeated also in the lower side of the upper section of the chimney.

1. Using a pencil, draw a line on the wall, extending up to the ceiling, to mark the centre. This will facilitate installation.
2. Rest the drilling template against the wall: the vertical centre line printed on the drilling template must correspond to the centre line drawn on the wall, and the bottom edge of the drilling template must correspond to the bottom edge of the hood.
3. Rest the support bracket on the drilling template so that it coincides with the dotted rectangle, mark the two outer holes and drill them (mark and also carry out upper drill holes - 3a), remove the drilling template, insert 4 wall plugs and fix the hood support bracket into place using two 5x45mm screws.
4. Hang the hood on the bracket.
5. Adjust the distance of the hood from the wall.
6. Adjust the horizontal position of the hood.
7. Remove the carbon filter frame (see also Fig. 3); mark the drill hole, using a pencil, for fastening the hood to the wall.
8. Remove the hood from the bracket.
9. Drill at the point marked (Ø8mm - see operation 7). Insert 1 wall plug.
10. Rest the chimney support bracket „G“ against the wall, touching the ceiling. Use the support bracket as a drilling template (the small slot formed on the support must coincide with the line drawn on the wall as above – operation 1) and mark 2 holes with a pencil, drill the holes (Ø8mm), insert 2 wall plugs. Fix the chimney support bracket to the wall using two 5x45mm screws.
11. Fix the bracket Z with two screws, so that the bracket blocks the lower section of the telescopic chimney (external covering) to the wall.
12. Connect a pipe (pipe and pipe clamps not provided, to be purchased separately) for discharge of fumes to the connection ring located over the suction motor unit.
13. Insert the flue.
14. Hook the hood onto the bottom bracket.
15. Fasten the hood to the wall with 1 5x45 mm screw (ABSOLUTELY NECESSARY), remount the carbon filter frame (see also Fig. 3).
16. Connect the tube to a fume expulsion device toward the exterior in the case you want to use the hood in a filtering version, then fix deflector **F** to the support flues bracket **G** and connect the end of the tube to the connection ring on deflector **F**.
17. Make the electrical connections.

18. Fix the flue to the hood support bracket with two screws.

Install the supplied "non-return fumes" valve on the discharge outlet (joint fixed) and remove the adhesive tape that is temporarily blocking the valve.

If installing a suction version, the installation of a "non-return fumes Valve" prevents the return of fumes or air from outside.

**Attention!** Before fixing a tube to the discharge outlet, check that the "non-return fumes Valve" opens and closes correctly.

## Operation

To select the functions of the hood just touch the commands.



### - Light key ON/OFF

- Pressing the key for 3" the lamps remain turned off and the luminous glass band emits a "BLUE" light.



### - Motor key OFF / 1<sup>st</sup> speed.

Hood OFF luminous glass band off.  
Speed 1 luminous glass band "BLUE".

### - Enabling/disabling carbon filter alarm.

To enable the alarm, switch the hood OFF and press the key for 3", the luminous band will emit a sequence of three "AMBER" flashes.

To disable the alarm, switch the hood OFF and press the key for 3", the luminous band will emit a sequence of 3 "BLUE" flashes.

### - Reset carbon filter alarm.

Saturation of the carbon filter will be signalled after 160 hours of use. The luminous band flashes "AMBER".

Press the key for 3" to reset the signal.  
Once reset the hood switches off.



### - Decreasing speed

The key decreases the speed (suction power) of the intensity of speed 1.

**Intensive** luminous glass band flashing "RED-AMBER" alternatively.

Intensive speed (suction power) lasts 5' after which the motor passes to speed 3.

The function can be interrupted pressing the "-" key, the motor passes to speed 3.

**Speed 3** luminous glass band "RED".

**Speed 2** luminous glass band "AMBER".

**Speed 1** luminous glass band "BLUE".

### - Timing speed 1.

Press the key for at least 2" to activate the timing of speed 1.

The hood will function at speed 1 for 10'.

After 10' the hood will pass to the OFF position.

**Timed Speed 1** luminous glass band flashes "BLUE".

Pressing the motor/speed 1 OFF key or the "+" key, the timed speed can be interrupted, passing respectively to the OFF state or speed 2.



### - Increasing speed

The key increases the speed (suction power) from speed 1 to intensive.

**Speed 1** luminous glass band "BLUE".

**Speed 2** luminous glass band "AMBER".

**Speed 3** luminous glass band "RED".

**Intensive** luminous glass band flashing "RED-AMBER" alternatively. .

Intensive speed (suction power) lasts 5' after which the motor passes to speed 3.

The function can be interrupted pressing the "-" key, the motor passes to speed 3.

### - Timing Speed 1.

Press the key for at least 2" to activate the timing of speed 1.

The hood will function at speed 1 for 10'.

After 10' the hood will pass to the OFF position.

**Timed Speed 1** luminous glass band flashes "BLUE".

Pressing the motor/speed 1 OFF key or the "+" key, the timed speed can be interrupted, passing respectively to the OFF state or speed 2.

**If the hood fails to operate correctly, briefly disconnect it from the mains power supply for almost 5 sec. by pulling out the plug. Then plug it in again and try once more before contacting the Technical Assistance Service.**

## Maintenance

**ATTENTION!** Before performing any maintenance operation, isolate the hood from the electrical supply by switching off at the connector and removing the connector fuse.

Or if the appliance has been connected through a plug and socket, then the plug must be removed from the socket.

## Cleaning

The cooker hood should be cleaned regularly (at least with the same frequency with which you carry out maintenance of the fat filters) internally and externally. Clean using the cloth dampened with neutral liquid detergent. Do not use abrasive products. **DO NOT USE ALCOHOL!**

### Warning:

Failure to carry out the basic cleaning recommendations of the cooker hood and replacement of the filters may cause fire risks.

Therefore, we recommend observing these instructions.

The manufacturer declines all responsibility for any damage to the motor or any fire damage linked to inappropriate maintenance or failure to observe the above safety recommendations.

## Grease filter Fig. 2

This must be cleaned once a month (or when the filter saturation indication system – if envisaged on the model in possession – indicates this necessity) using non aggressive detergents, either by hand or in the dishwasher, which must be set to a low temperature and a short cycle.

When washed in a dishwasher, the grease filter may discolour

slightly, but this does not affect its filtering capacity.  
To remove the grease filter, pull the spring release handle.

### Charcoal filter (filter version only) Fig. 3

It absorbs unpleasant odours caused by cooking.  
The charcoal filter can be washed once every two months (or when the filter saturation indication system – if envisaged on the model in possession – indicates this necessity) using hot water and a suitable detergent, or in a dishwasher at 65°C (if the dishwasher is used, select the full cycle function and leave dishes out).  
Eliminate excess water without damaging the filter, then put it in the oven for 10 minutes at 100° C to dry completely.  
Replace the mattress every 3 years and when the cloth is damaged.  
Remove the filter holder frame by turning the knobs (g) 90° that affix the chimney to the cooker hood.  
Insert the pad (i) of activated carbon into the frame (h) and fit the whole back into its housing (j).

### CLEANING AND UPKEEP OF YOUR APPLIANCE

To keep your appliance in good working order, we recommend that you use **Clearit** household products.



*Professional expertise for the general public*


**Clearit** offers you professional products and adapted solutions for the daily upkeep of your household and kitchen appliances.  
You may find them in conventional retail outlets, along with a complete line of by-products and consumables.

### Replacing lamps Fig. 4

Disconnect the hood from the electricity.  
**Warning!** Prior to touching the light bulbs ensure they are cooled down.  
1. Using a flat head screwdriver or equivalent tool, carefully pry loose the light cover.  
2. Remove the damaged light and replace with a new 12 Volt, 20 Watt (Maximum) halogen light made for a G-4 base SUITABLE FOR USE IN OPEN LUMINAIRES. Follow package directions and do not touch new light with bare hands.  
3. Reinstall the light cover. (it will snap shut).  
If the lights do not work, make sure that the lamps are fitted properly into their housings before you call for technical assistance.

This appliance is marked according to the European directive 2002/96/EC on Waste Electrical and Electronic Equipment (WEEE). By ensuring this product is disposed of correctly, you will help prevent potential negative consequences for the environment and human health, which could otherwise be caused by inappropriate waste handling of this product.



The symbol  on the product, or on the documents accompanying the product, indicates that this appliance may not be treated as household waste. Instead it should be taken to the appropriate collection point for the recycling of electrical and electronic equipment. Disposal must be carried out in accordance with local environmental regulations for waste disposal.

For more detailed information about treatment, recovery and recycling of this product, please contact your local council, your household waste disposal service or the shop where you purchased the product.

### Troubleshooting

SYMPTOMS	SOLUTIONS
The hood is not working...	Ensure that: <ul style="list-style-type: none"> <li>• The power is not cut off.</li> <li>• A speed has been selected.</li> </ul>
The hood is not operating effectively...	Ensure that: <ul style="list-style-type: none"> <li>• The selected motor speed is sufficient for the quantity of smoke and vapours to be cleared.</li> <li>• The kitchen is sufficiently ventilated to allow for fresh air intake.</li> <li>• The carbon filter is not worn (hood operating in recycling mode).</li> </ul>
The hood stopped working	Ensure that: <ul style="list-style-type: none"> <li>• The power is not cut off.</li> <li>• The single-pole cut-off device was not activated.</li> </ul>

### After-sales service

Any maintenance on your equipment should be undertaken by:

- either your dealer,
- or another qualified mechanic who is an authorized agent for the brand appliances.

When making an appointment, state the full reference of your equipment (model, type and serialnumber).  
This information appears on the manufacturer's nameplate attached to your equipment.