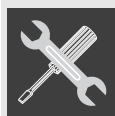


1. INSTRUCTIONS FOR USE	4
2. SAFETY PRECAUTIONS	6
3. ENVIRONMENTAL CARE	8
3.1 Our environmental care	8
3.2 Your environmental care	8
4. GET TO KNOW YOUR APPLIANCE	9
4.1 Description of the controls on the front panel	10
5. AVAILABLE ACCESSORIES	11
5.1 Using the rack or tray	11
5.2 Using the support rack	11
6. USING THE COOKING HOB	12
6.1 General warnings and advice	12
7. USING THE OVEN	13
7.1 Before using the appliance	13
7.2 Oven runners	13
7.3 Cooling system	13
7.4 Internal light	13
7.5 General warnings and advice for use	14
7.6 Electronic programmer	15
8. COOKING WITH THE OVEN	17
8.1 Cooking advice and instructions	18
9. CLEANING AND MAINTENANCE	19
9.1 Cleaning stainless steel	19
9.2 Ordinary daily cleaning	19
9.3 Food stains or residues	19
9.4 Cleaning the glass ceramic hob	19
9.5 Cleaning the oven	20
10. EXTRAORDINARY MAINTENANCE	21
10.1 Replacing the light bulb (main oven)	21
10.2 Replacing the light bulb (auxiliary oven)	21
10.3 Removing the door	22
10.4 Removing the door seal	22
10.5 Removing the internal glass panels	23
11. INSTALLATION	24
11.1 Installing in kitchen units	24
11.2 Room ventilation and combustion extraction	25
11.3 Wall mounting brackets (where present)	26
11.4 Electrical connection	27
11.5 Positioning the skirt (on some models only)	28
11.6 Positioning and levelling the appliance	28



INSTRUCTIONS FOR THE USER: these instructions contain user recommendations, a description of the controls and the correct procedures for cleaning and maintenance of the appliance.



INSTRUCTIONS FOR THE INSTALLER: these are intended for the qualified technician who must install the appliance, set it functioning and carry out an inspection test.



Further information about the products can be found at www.smeg.com



1. INSTRUCTIONS FOR USE



This manual is an integral part of the appliance. It must be kept in its entirety and in an accessible place for the whole working life of the appliance. We recommend reading this manual and all the information it contains carefully before using the appliance. Installation must be carried out by qualified personnel in accordance with the standards in force. This appliance is intended for domestic use and conforms to the EC directives currently in force. The appliance has been built to carry out the following functions: **cooking and heating up food**; all other uses are considered unsuitable.



These instructions are valid only for the destination countries whose identifying symbols are included on the cover of this manual.



Never obstruct the openings and slits provided for ventilation and heat dispersal; this may cause malfunctions.



Do not use this appliance for heating rooms.



This appliance is marked according to European directive 2002/96/EC on Waste Electrical and Electronic Equipment (WEEE).

This directive defines the standards for the collection and recycling of waste electrical and electronic equipment applicable throughout the European union.



The identification plate with technical data, serial number and brand name is located in an exposed position either in the drawer (where present) or on the back of the appliance. A copy of the identification plate is included in the booklet. It should be applied to the appropriate space on the back of the cover. Do not remove this plate for any reason.



Before the appliance is put into operation, all labels and protective films applied on external surfaces must be removed.



Do not use metallic sponges or sharp scrapers: they will damage the surfaces. Use normal non-abrasive products and a wooden or plastic tool if necessary. Rinse thoroughly and dry using a soft cloth. Do not allow residues of sugary foods (such as jam) to set inside the oven. If left to set for too long, they might damage the enamel lining of the oven.



Do not use plastic kitchenware or containers. The high temperatures inside the oven could melt the plastic, damaging the appliance.



Always check that the control knobs are in the “zero” (off) position when you finish using the appliance.



Do not use sealed tins or containers in the appliance. Overpressure may occur inside the containers during cooking, creating a danger of explosion.



Do not cover the bottom of the oven with aluminium or tinfoil sheets during cooking and do not place pans or trays on it to avoid damage to the enamelled surface.



Never place saucepans with bases which are not perfectly flat and smooth on the hob. Unstable cookware can lead to scalding.



Do not rest any weight or sit on the open door of the appliance. Excessive weight may jeopardise its stability.



General instructions

GB-IE



The appliance becomes very hot during use. Suitable heat-proof gloves should be worn for all operations.



Do not use the hob if pyrolysis (where present) is taking place inside the oven.



Take care that no objects are stuck in the door of the oven.



Do not open the storage compartment (where present) when the oven is on and still hot. The temperatures inside it may be very high.



If the surfaces are still very hot during cooking, do not pour water directly onto the trays. The steam could cause severe burns and damage enamelled surfaces.



All cooking operations must take place with the door closed. The dissipation of heat may cause hazards.



The manufacturer declines all responsibility for damage to persons or things caused by non-observance of the above prescriptions or by interference with any part of the appliance or by the use of non-original spare parts.



2. SAFETY PRECAUTIONS

Consult the installation instructions for safety standards on electrical or gas appliances and for ventilation functions. In your interests and for your safety the law requires that the installation and servicing of all electrical and gas appliances be carried out by qualified personnel in accordance with the standards in force. Our approved installers guarantee a satisfactory job.

Gas or electrical appliances must always be uninstalled by suitably skilled people.



Before connecting the appliance to the power grid, check the data on the plate against the data for the grid itself.



If the appliance is installed on a raised platform, secure it using suitable fastening systems.



Before carrying out installation/maintenance work, make sure that the appliance is disconnected from the power grid.



If the cooking appliances are installed in motor vehicles (for example, camper vans, caravans etc.), they must only be used when the vehicle is stationary.



Install the appliance so that when opening the drawers or doors of units positioned at the level of the hob there is no possibility of making contact with pans positioned on top of it.



Immediately after installation, carry out a quick test on the appliance following the instructions provided later in this manual. Should the appliance not function, disconnect it from the power supply and call the nearest technical assistance centre.



The plug to be connected to the power supply cable and its socket must be of the same type and conform to the standards in force. The socket must be accessible after the appliance has been installed. **Never disconnect the plug by pulling on the cable.**



If the power supply cable is damaged, contact the technical support service immediately and they will replace it.



The appliance must be connected to earth in compliance with electrical system safety standards.



During use the appliance and its accessible parts become very hot. Take care never to touch the heating elements. Keep children younger than 8 away from the appliance, unless under continuous supervision.



As soon as you notice a fracture or a crack on the surface of the glass ceramic hob, disconnect the appliance from the mains supply and contact an authorised technical assistance centre.



Never put inflammable objects in the oven: they could be accidentally ignited and cause fires.



The appliance is intended for use by adults. Do not allow children to go near it or play with it.



This appliance may be used by children from the age of 8 and by people of reduced physical and mental ability or lacking in experience and knowledge, provided they are supervised or instructed on the safe use of the appliance and if they understand the associated risks. Do not allow children to play with the appliance. Do not allow unsupervised children to perform cleaning or maintenance operations.



Never attempt to repair the appliance. All repairs must be carried out by an authorised technician or at an authorised service centre. The improper use of tools can cause hazards.



General instructions

GB-IE



This appliance must not be controlled using an external timer or remote control system.



Be aware of how rapidly the cooking zones heat up. Do not place empty saucepans on the heat. Danger of overheating.



Fats and oils can catch fire if they overheat. You are therefore recommended not to leave the appliance while preparing foods containing oils or fats. If fats or oils catch fire, never put water on them. Place the lid on the saucepan and turn off the cooking zone.



Take care when using additional electrical appliances in the kitchen (e.g. blender, toaster etc.). Connection cables must not come into contact with hot cooking zones.



Do not use steam jets for cleaning the appliance.
The steam could reach the electronics, damaging them and causing short-circuits.



Do not spray any spray products near the household appliance while it is in operation. Do not use spray products while the appliance is still hot. The gases contained in the spray may catch fire.



The manufacturer declines all responsibility for damage to persons or things caused by non-observance of the above prescriptions or by interference with any part of the appliance or by the use of non-original spare parts.



3. ENVIRONMENTAL CARE

3.1 Our environmental care



Pursuant to Directives 2002/95/EC, 2002/96/EC, 2003/108/EC, relating to the reduction of the use of hazardous substances in electrical and electronic appliances, as well as to the disposal of refuse, the crossed out bin symbol on the appliance indicates that the product, at the end of its useful life, must be collected separately from other refuse. Therefore, the user must consign the product that has reached the end of its working life to the appropriate selective collection centres for electrical and electronic refuse, or deliver it back to the retailer when purchasing an equivalent product, on a one for one basis. Adequate selective collection for the subsequent forwarding of the decommissioned product to recycling, treatment and ecologically compatible disposal contributes to avoiding possible negative effects on the environment and on health and promotes the recycling of the materials of which the appliance consists. The illicit disposal of the product by the user results in the application of administrative sanctions.

The appliance does not contain substances in quantities sufficient to be considered hazardous to health and the environment, in accordance with current European directives.

3.2 Your environmental care

Our appliances are packed in non-polluting materials, which are therefore compatible with the environment and recyclable. Please help by disposing of the packaging correctly. You can obtain the addresses of collection, recycling and disposal centres from your retailer or from the competent local organisations.



Do not discard the packaging or any part of it, or leave it unattended. It can constitute a suffocation hazard for children, especially the plastic bags.

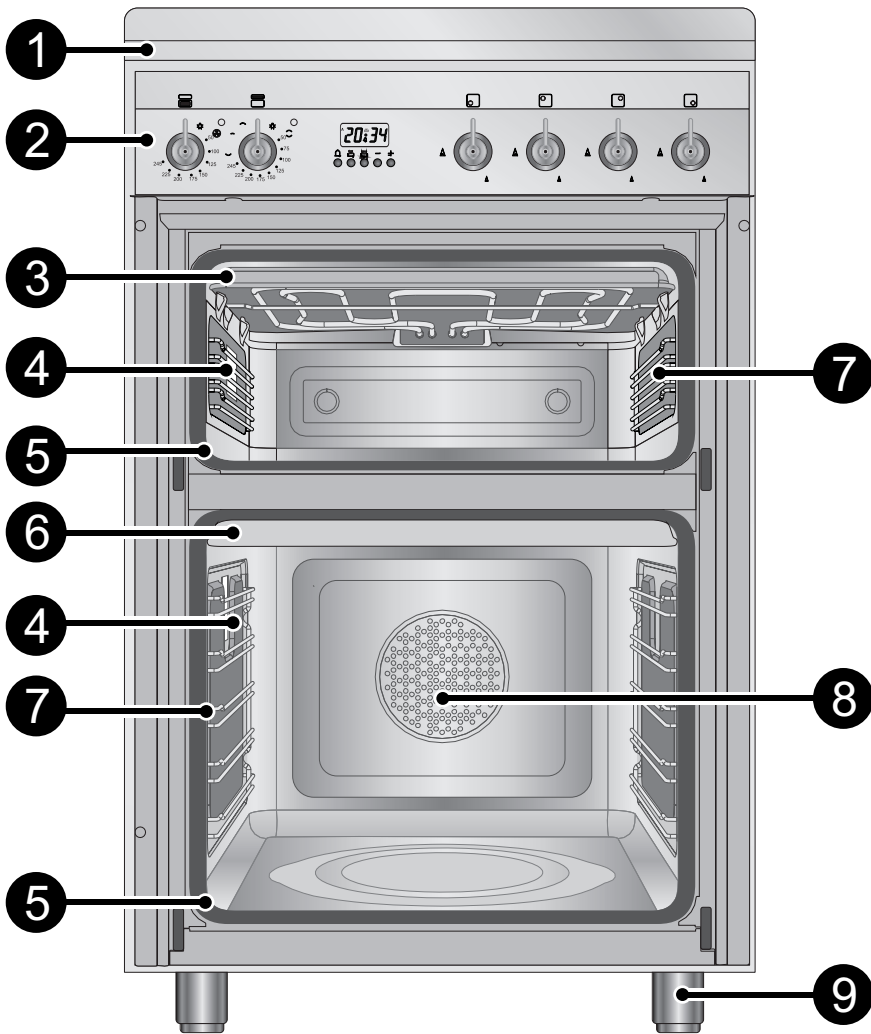
Your old appliance also needs to be disposed of correctly.

Important: hand over your appliance to the local agency authorised for the collection of household appliances no longer in use. Correct disposal enables intelligent recovery of valuable materials.

Before disposing of your appliance it is important to remove doors and leave shelves in the same position as for use, to ensure that children cannot accidentally become trapped inside during play. It is also necessary to cut the connecting cable to the power supply network, removing it along with the plug.



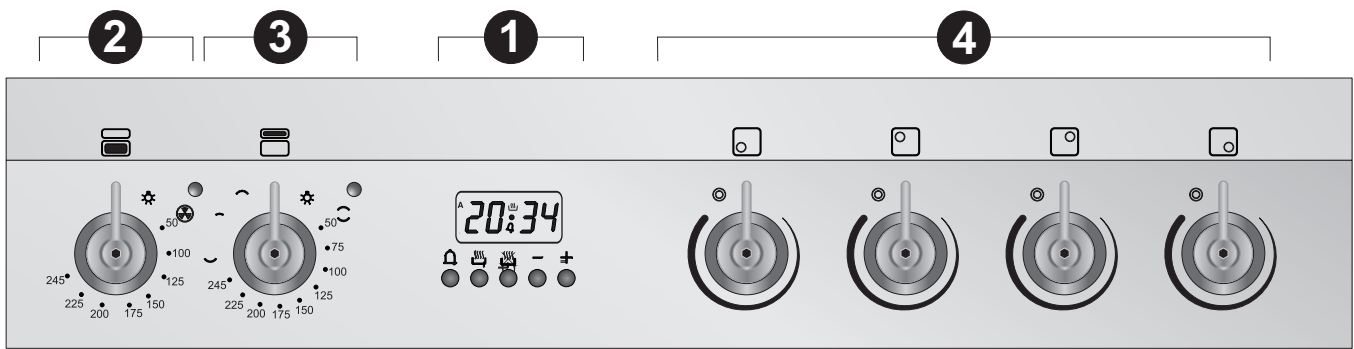
4. GET TO KNOW YOUR APPLIANCE



- 1 Cooking hob
- 2 Control panel
- 3 Movable roof liner
- 4 Oven light
- 5 Oven seal
- 6 Movable roof liner
- 7 Oven guide frames
- 8 Oven ventilation
- 9 Adjustable feet



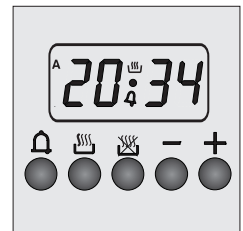
4.1 Description of the controls on the front panel



1


4.1.1 Programming clock

The programming clock can be used to display the current time or to set a timer or a programmed cooking operation.

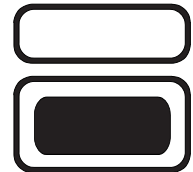


2

4.1.2 Main oven thermostat knob


This knob allows to select the cooking function and the cooking temperature for the main oven. Turning the knob to the  position turns on the light inside the main oven. To set the knob on "O" turn it always anti-clockwise.

The indicator light comes on to indicate that the oven is heating up. The indicator light goes out when the set temperature is reached. It flashes at regular intervals to indicate that the temperature inside the oven is being kept constantly at the set level.

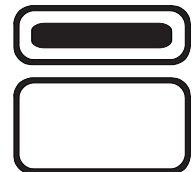


3

4.1.3 Auxiliary oven thermostat knob

This knob allows to select the cooking function and the cooking temperature (only in static function) for the auxiliary oven. Turning the knob to the  position turns on the light inside the auxiliary oven. To set the knob on "O" turn it always anti-clockwise.

The indicator light comes on to indicate that the oven is heating up. The indicator light goes out when the set temperature is reached. It flashes at regular intervals to indicate that the temperature inside the oven is being kept constantly at the set level.



4



4.1.4 Hob burners control knob

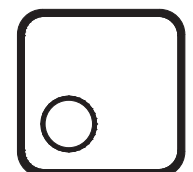
Standard heating

The circle next to each knob indicates the cooking zone it controls. To heat, push and turn the knob to the required position. Adjustment is continuous so that the appliance also operates at any intermediate value. To turn off, return the knob to 0.

Double heating

The circle next to each knob indicates the cooking zone it controls. To heat the inner cooking zone, push and turn the knob to the required position.

To heat both the inner and outer cooking zones, turn the knob to  / ; and then release. The knob will thus return to MAX. To adjust heating intensity, rotate the knob anticlockwise to the required position 0. To return to heating the inner cooking zone only, set the knob back to and then turn to the required position. To switch off, return knob to 0.



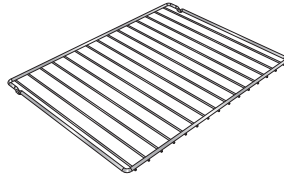


5. AVAILABLE ACCESSORIES



NOTE: Some models are not provided with all accessories.

Rack: useful for holding cooking containers.



Tray rack: to be placed over the top of the oven tray; for cooking foods which may drip.



Oven tray: useful for collecting fat from foods placed on the rack above.



The oven accessories intended to come into contact with food are made of materials that comply with the provisions of current legislation.



Accessories available on request:

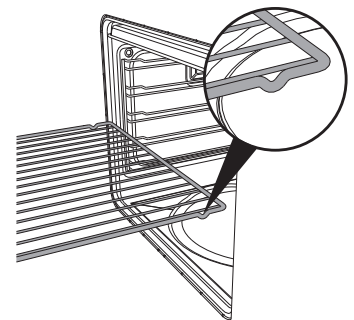
- Original supplied and optional accessories may be ordered from any Authorised Support Centre.
- Use only original accessories supplied by the manufacturer.

5.1 Using the rack or tray

The racks and trays are equipped with a mechanical safety lock which prevents them from being taken out accidentally. To insert the rack or tray correctly, check that the lock is facing downwards (as shown in the figure at the side).

To remove the rack or tray, lift the front slightly.

The mechanical lock (or the extension piece where present) must always face the back of the oven.



Gently insert racks and trays into the oven until they come to a stop.



In models with runners, clean the trays before using them for the first time. Cleaning will remove any manufacturing residues, which may otherwise scratch the sides of the oven cavity when trays are being inserted.

5.2 Using the support rack

The support rack is inserted into the tray (as shown in the figure). Using this, foods can be cooked and the fat can be collected separately from the food which is being cooked.


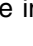


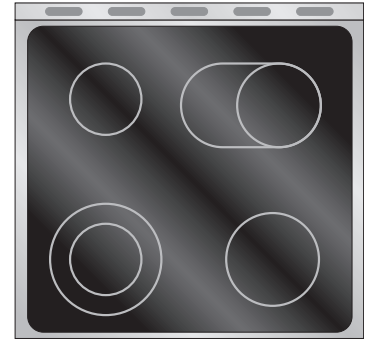


6. USING THE COOKING HOB

6.1 General warnings and advice

The appliance features 4 cooking zones of various diameters and power levels. Their position is clearly indicated with circles and heat is released within the diameters traced on the glass ceramic surface. The 5 cooking zones are of the HIGH-LIGHT type and come on a few seconds after activation. The heat intensity can be adjusted using the knobs located on the front panel from a minimum to a maximum value.

The cooking zones indicated by two concentric circles  and by a circle + fish burner  allow double heating either within the inner circle or in both circles.



The four indicator lights located between the cooking zones come on when the temperature of one or more of the radiating zones exceeds 60°C. These lights switch off when the temperature falls below approximately 60°C.



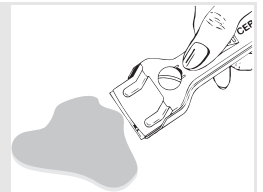
When the hob is used for the first time, you are advised to heat it to the maximum temperature long enough to burn off any oily residues from manufacturing in order to ensure that the food does not absorb odours.

To obtain better results and save energy, only use containers suitable for cooking on electric cookers:

- The base of the containers must be thick and completely flat. Before placing a container on the hob, check that both hob and container are completely clean and dry.
- To avoid scratches to the hob, do not use cast iron containers or containers with an uneven base.
- In order to avoid wasting energy, make sure that the diameter of the container base is the same as the diameter of the circle marked on the hob.



Take care not to spill sugar or sugar mixtures on the hob when it is hot. Do not place materials or substances that could melt on the hob (plastic or aluminium foil). If melting does occur, in order to avoid compromising the condition of the hob surface, immediately switch it off and remove the melted material using the scraper provided, while the hob is still warm. **Failure to clean** the glass ceramic hob straight away could lead to encrustations which are impossible to remove once the hob has cooled down.



Important:

Supervise children carefully as they cannot readily see the residual heat indicator lights on the hob. The cooking zones remain hot for a certain period of time even after they have been turned off.

Make sure that children do not touch the hob at any time.





7. USING THE OVEN

7.1 Before using the appliance



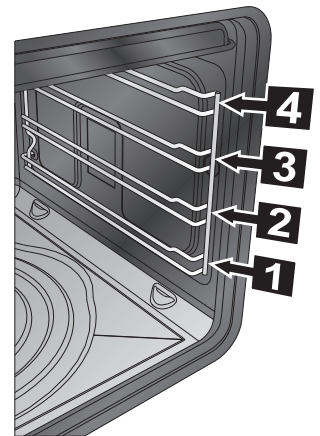
- Remove any labels (apart from the technical data plate) from trays, dripping pans and the cooking compartment.
- Remove any protective film from the outside or inside of the appliance, including from accessories such as trays, dripping pans, the pizza plate or the base cover.
- Before using the appliance for the first time, remove all accessories from the oven compartment and wash them as indicated in "9. CLEANING AND MAINTENANCE".



Heat the empty appliance to the maximum temperature in order to remove any manufacturing residues which could affect the food with unpleasant odours.

7.2 Oven runners

The oven features 4 runners for positioning trays and racks at different heights. The insertion heights are indicated from the bottom upwards (see figure).



7.3 Cooling system

The appliance is equipped with a cooling system which comes into operation as soon as a cooking function starts. The fan causes a steady outflow of air that exits from the rear of the appliance and which may continue for a brief period of time even after the appliance has been turned off.

7.4 Internal light

The oven light comes on when the door is opened (on some models only) or any function is selected.



7.5 General warnings and advice for use



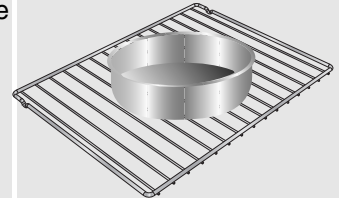
All cooking operations must be carried out with the door closed. The dissipation of heat may cause hazards.



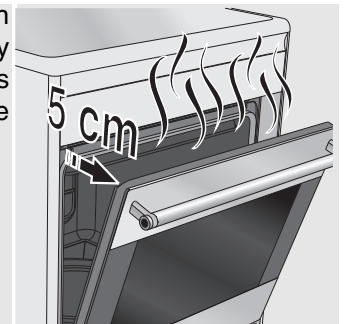
During cooking, do not cover the bottom of the oven with aluminium or tin foil and do not place pans or oven trays on it as this may damage the enamel coating. If you wish to use greaseproof paper, place it so that it will not interfere with the hot air circulation inside the oven.



For the best cooking results, we recommend placing cookware in the centre of the rack.



To prevent any steam in the oven from causing problems, open the door in two stages: keep it half open (5 cm approx.) for 4-5 seconds and then fully open. To access food, always leave the door open as short a time as possible to prevent the temperature in the oven from falling and ruining the food.



To prevent excessive amounts of condensation from forming on the internal glass, hot food should not be left inside the oven for too long after cooking.



While cooking desserts or vegetables, excessive condensation may form on the glass. In order to avoid this, open the door very carefully a couple of times while cooking.



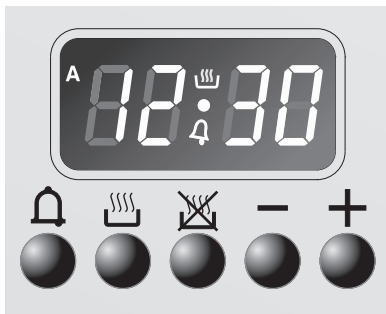
To prevent hazardous overheating, the appliance's lid (where present) must always be raised when using the oven.








Heat the empty appliance to the maximum temperature in order to remove any manufacturing residues which could affect the food with unpleasant odours.







7.6 Electronic programmer



LIST OF FUNCTIONS

-  Timer key
-  End of cooking key
-  Cooking duration key
-  Value decrease key
-  Value increase key

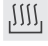


7.6.1 Setting the time



On the first use, or after a power failure, **00:00** will be flashing on the oven's display. Press the  and  keys together, and at the same time press the value adjustment keys  or : this will increase or decrease the setting by one minute for each pressure. Press either of the value modification keys to display the current time. Before each programmer setting, activate the required function and temperature.

7.6.2 Semi-automatic cooking






Semi-automatic cooking is the function which allows a cooking operation to be started and then ended after a specific length of time set by the user.




Press the  key and the display will light up showing the figures **00:00**; keep it pressed, and at the same time use the keys  or  to set the cooking duration.



When  is released, the count of the programmed cooking duration will start and the display will show the current time together with  and **A** (to indicate that a programmed cooking operation has been set).

7.6.3 Automatic cooking



This function switches the oven on and off in fully automatic mode.

Press the  key and the display will light up showing the figures **00:00**; keep it pressed, and at the same time use the value modification keys  or  to set the cooking duration.

Press the  key and the display will show the sum of the current time plus the cooking duration: keep it pressed, and at the same time use the value modification keys  or  to adjust the end of cooking time.


When the  key is released, the programmed count will start and the display will show the current time together with the symbols **A** and .



After making the setting, press the  key to view the remaining cooking time; press the  key to view the cooking end time. The logic prevents the setting of incompatible values (e.g. the programmer will not accept a cooking end time with a duration which is too long for its value).









7.6.4 End of cooking


At the end of cooking the oven will switch off automatically and simultaneously a buzzer will start to sound intermittently. After the buzzer has been deactivated, the display will return to show the current time together with the  symbol to indicate that the oven has returned to manual use mode.

7.6.5 Timer

The programmer can also be used as an ordinary timer.

Press the  key and the display will show the figures ; keep  pressed and simultaneously press the value modification keys  or . When the key is released the count will start and the display will show the current time and the symbol .





After the setting, to display the time left press the  key.

In timer mode, the oven operation will not be cut out at the end of the set time.

7.6.6 Adjusting the buzzer volume




The buzzer volume can be varied (3 settings) while it is in operation by pressing .

7.6.7 Stopping the buzzer

The buzzer stops automatically after about seven minutes. It can be deactivated manually by pressing keys  and  together.



To switch off the appliance, return all the knobs to the 0 setting.

7.6.8 Deleting the set data

Having programmed a semi-automatic or automatic cooking operation, this programming can be cancelled by holding down the key for the function which has just been programmed and simultaneously pressing  or  until  appears on the display.

The programmer will interpret the cancellation of the program as terminating the cooking operation.

7.6.9 Modifying the set data

The set cooking data can be modified at any time by holding down the function key and at the same time pressing the keys  or  to change the value.

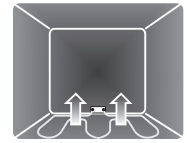


8. COOKING WITH THE OVEN

BOTTOM:



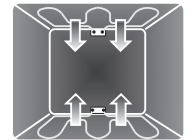
The heat coming just from the bottom allows to complete the cooking of foods that require a longer basic cooking time, without affecting their browning. Perfect for cakes, pies, tarts and pizzas.



STATIC:



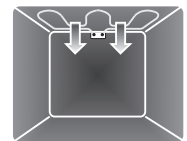
As the heat comes from above and below at the same time, this system is particularly suitable for certain types of food. Traditional cooking, also known as static or thermal radiation cooking, is suitable for cooking just one dish at a time. Perfect for all types of roasts, bread and cakes and in any case particularly suitable for fatty meats such as goose and duck.



LARGE GRILL:



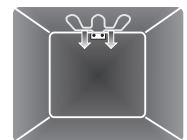
The heat coming from the grill element gives perfect grilling results above all for thin and medium thickness meat and in combination with the rotisserie (where present) gives the food an even browning at the end of cooking. Perfect for sausages, ribs and bacon. This function enables large quantities of food, particularly meat, to be grilled evenly.



SMALL GRILL:



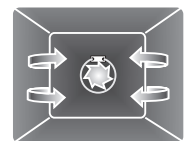
Using only the heat released from the central element, this function allows to grill small portions of meat and fish for making kebabs, toasted sandwiches and any types of grilled vegetable side dishes.



CIRCULAR:



The combination of the fan and the circular element (incorporated in the rear of the oven) allows to cook different foods on several levels, as long as they need the same temperatures and same type of cooking. Hot air circulation ensures instant and uniform distribution of heat. It will be possible, for instance, to cook fish, vegetables and biscuits simultaneously (on different levels) without mixing odours and flavours.





8.1 Cooking advice and instructions

8.1.1 General advice

- **We recommend preheating the oven before putting the food in.** Place the food in the oven only once the cooking light is off.
- For cooking on several levels, we recommend using a fan-assisted function to achieve uniform cooking at all heights.
- In general, it is not possible to shorten the cooking times by increasing the temperature (the food could be well-cooked on the outside and undercooked on the inside).
- While cooking desserts or vegetables, excessive condensation may form on the glass. In order to avoid this, open the door very carefully a couple of times while cooking.
- For rapid preheating use a fan-assisted function, then select the required function.


8.1.2 Advice for cooking meat

- Cooking times, especially for meat, vary according to the thickness and quality of the food and to consumer taste.
- We recommend using a meat thermometer for meat when roasting it. Alternatively, simply press on the roast with a spoon: if it is hard it is ready, if not, it needs another few minutes cooking.

8.1.3 Advice for cooking desserts and biscuits

- Use dark metal moulds for desserts: they help to absorb the heat better.
- The temperature and the cooking time depend on the quality and consistency of the dough.
- Check whether the dessert is cooked right through: at the end of the cooking time, put a toothpick into the highest point of the dessert. If the dough does not stick to the toothpick, the dessert is cooked.
- If the dessert collapses when it comes out of the oven, on the next occasion reduce the set temperature by about 10°C, selecting a longer cooking time if necessary.

8.1.4 Advice for cooking with the Grill

- Using the Grill function , meat can be grilled even when it is put into the cold oven; preheating is recommended if you wish to change the effect of the cooking.



9. CLEANING AND MAINTENANCE



Do not use steam jets for cleaning the appliance. The steam could reach the electronics, damaging them and causing short-circuits.



CAUTION: For your safety, you are advised to wear protective gloves while performing any cleaning or extraordinary maintenance.



Do not use cleaning products containing chlorine, ammonia or bleach on steel parts or parts with metallic finishes on the surface (e.g. anodizing, nickel- or chromium-plating).



We recommend the use of cleaning products distributed by the manufacturer.

9.1 Cleaning stainless steel

To keep stainless steel in good condition it should be cleaned regularly after use. Let it cool first.

9.2 Ordinary daily cleaning

To clean and preserve the stainless steel surfaces, always use only specific products that do not contain abrasives or chlorine-based acids.

How to use: pour the product onto a damp cloth and wipe the surface, rinse thoroughly and dry with a soft cloth or a microfibre cloth.

9.3 Food stains or residues



Do not use metallic sponges or sharp scrapers as they will damage the surfaces.

Use ordinary non-abrasive products with the aid of wooden or plastic utensils if necessary. Rinse thoroughly and dry with a soft cloth or a microfibre cloth.



Do not allow residues of sugary foods (such as jam) to set inside the oven. If left to set for too long, they might damage the enamel lining of the oven.

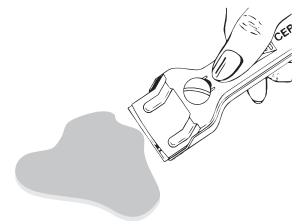
9.4 Cleaning the glass ceramic hob



The glass ceramic hob should be regularly cleaned, preferably after every use, once the residual heat indicator lights have gone off.

Smudges from aluminium-based pans can be easily cleaned off with a cloth dampened in vinegar.

Remove any burnt residues after cooking with the scraper provided; rinse with water and wipe dry with a clean cloth. Regular use of the scraper considerably reduces the need for chemical detergents for the daily cleaning of the hob. Do not use abrasive or corrosive detergents (e.g. cleaning powders, oven sprays, spot-removers and wire sponges).



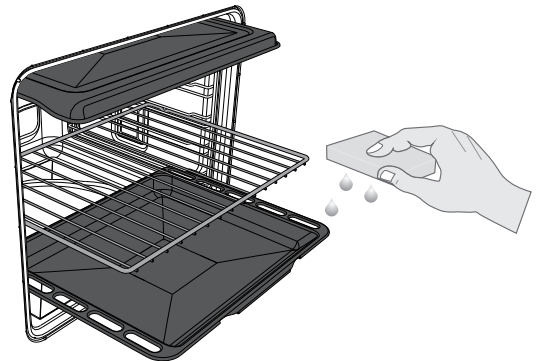


9.5 Cleaning the oven



For the best oven upkeep, clean it regularly after having allowed it to cool. Take out all removable parts.

- Clean the oven racks with hot water and non-abrasive detergent. Rinse and dry.
- For easier cleaning, the door can be removed (see “10.3 Removing the door”).



The oven should be operated at the maximum heat setting for 15/20 minutes after use of specific products, to burn off the residues left inside the oven.



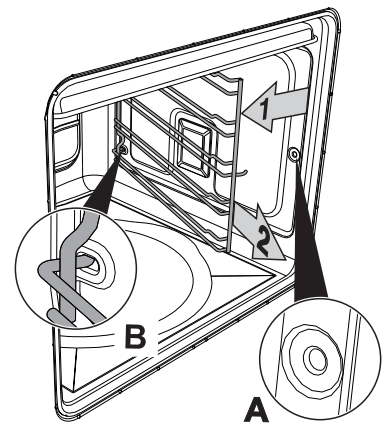
When the operation is complete, damp parts should be dried thoroughly.

9.5.1 Removing guide frames

Removing the guide frames and the self-cleaning panels enables the sides to be cleaned more easily. This operation should be carried out each time the automatic cleaning cycle is used (on some models only).

To remove the guide frames:

- 1 Pull the frame towards the inside of the oven to unhook it from its housing A, then slide it out of the seats at the back B.
- 2 When cleaning is complete, repeat the above procedures to put the guide frames back in.



9.5.2 Cleaning the door glazing

The glass in the door should always be kept thoroughly clean. Use absorbent kitchen roll; remove stubborn dirt with a damp sponge and an ordinary detergent.



Do not use abrasive or corrosive detergents to clean the oven's door glass panels (e.g. powder products, spot-removers and wire sponges). Do not use rough or abrasive materials or sharp metal scrapers to clean the oven's glass doors since they may scratch the surface.

9.5.3 Cleaning the door seal

To keep the seal clean, use a non-abrasive sponge and lukewarm water. The seal should be soft and flexible (with the exception of pyrolytic models).

In pyrolytic models, the seal may flatten over time and lose its original shape. To restore it, pinch the seal all the way along. This also helps remove any dirt on the seal.



10. EXTRAORDINARY MAINTENANCE

The oven requires periodic minor maintenance or replacement of parts subject to wear, such as gaskets, light bulbs, etc. Specific instructions for each operation of this kind are given below.



Before any intervention that requires access to live parts, disconnect the appliance from the power supply.



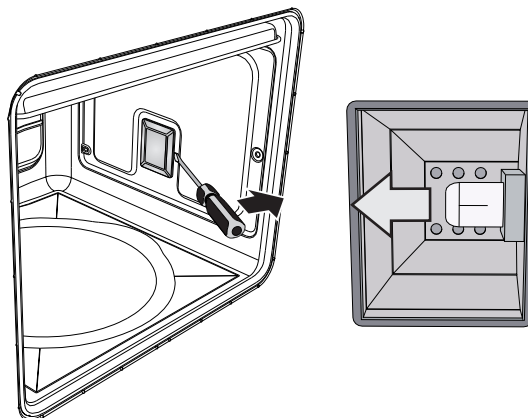
CAUTION: For your safety, you are advised to wear protective gloves while performing any cleaning or extraordinary maintenance.

10.1 Replacing the light bulb (main oven)

If a light bulb needs to be replaced because it is worn or burnt out, remove the guide frames; see "9.5.1 Removing guide frames".

Then remove the bulb cover using a tool (e.g. a screwdriver).

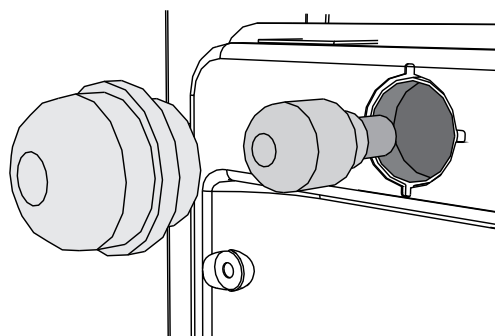
Remove the bulb by unscrewing (filament bulbs) or pulling it (halogen bulbs) in the indicated direction. Replace the bulb with one of the same type (25W for filament bulbs or 40W for halogen bulbs).



Do not touch halogen bulbs directly with your fingers, wrap them in insulating material.

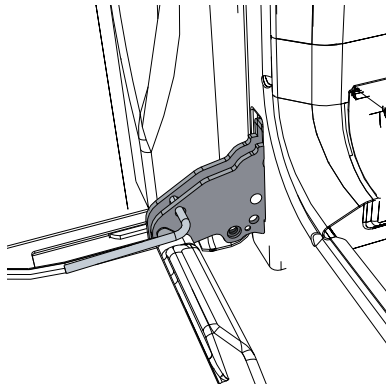
10.2 Replacing the light bulb (auxiliary oven)

If a light bulb needs to be replaced because it is worn or burnt out, unscrew the bulb cover. Remove the bulb by unscrewing it and then replace it with a similar bulb (25W).

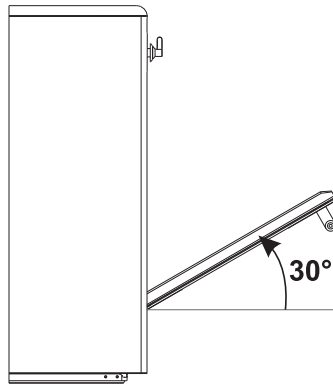




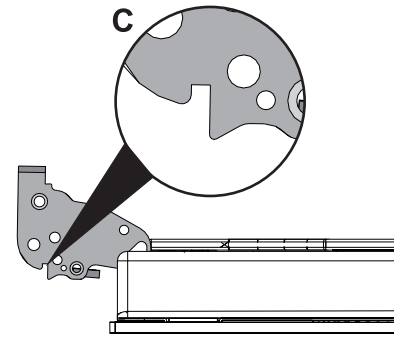
10.3 Removing the door



Open the door completely. Insert a pin into the hole in the hinge. Repeat for both hinges.



Grasp the door on both sides with both hands, lift it forming an angle of around 30° and remove it.

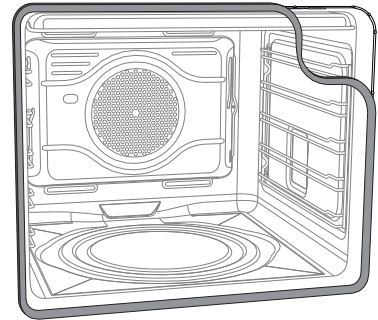


To reassemble the door, put the hinges in the relevant slots in the oven, making sure that grooved sections C are resting completely at the base of the slots. Lower the door and once it is in place remove the pins from the holes in the hinges.

10.4 Removing the door seal

To permit thorough cleaning of the oven, the door seal may be removed.

There are fasteners on all four sides to attach it to the edge of the oven. Pull the edges of the seal outwards to detach the fasteners. The seal must be replaced when it loses elasticity and hardens.





10.5 Removing the internal glass panels

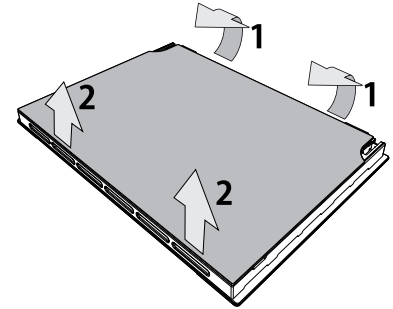
The glass in the door should always be kept thoroughly clean. To facilitate cleaning, it is possible to remove the door (see 10.3 Removing the door) and place it on a canvas, or open it and lock the hinges in order to extract the glass panels. The glass panels of the door can be completely removed by following the instructions provided below.



Warning: before removing the glass panels, make sure that at least one of the door's hinges has been locked in the open position as described in chapter "10.3 Removing the door". This operation may have to be repeated during the glass removal process if the door is accidentally freed.

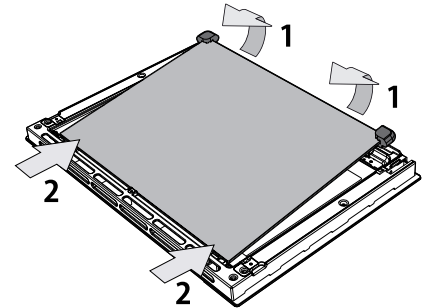
Removing the internal glass panel:

- Remove the internal glass panel by pulling the rear part gently upwards, following the movement indicated by the arrows (1).
- Detach the 4 pins attached to the glass panel from their slots in the oven door by pulling the front part of the glass panel upwards (2).



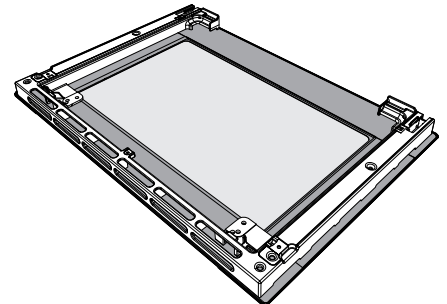
Removing the middle glass panels:

- Remove the middle glass panel by lifting it upwards, following the movement indicated by the arrows (1).
- Pull the front of the glass panel upwards (2).



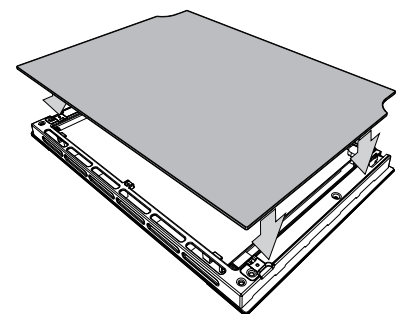
Cleaning:

Clean the external glass panel and the panels removed previously. Use absorbent kitchen roll. In the case of stubborn dirt, wash with a damp sponge and neutral detergent.



Replacing the glass panels:

- Replace the panels in the opposite order to which they were removed.
- Take care to centre and insert the 4 pins attached to the internal glass panel into their slots in the oven door by applying slight pressure.





11. INSTALLATION

11.1 Installing in kitchen units



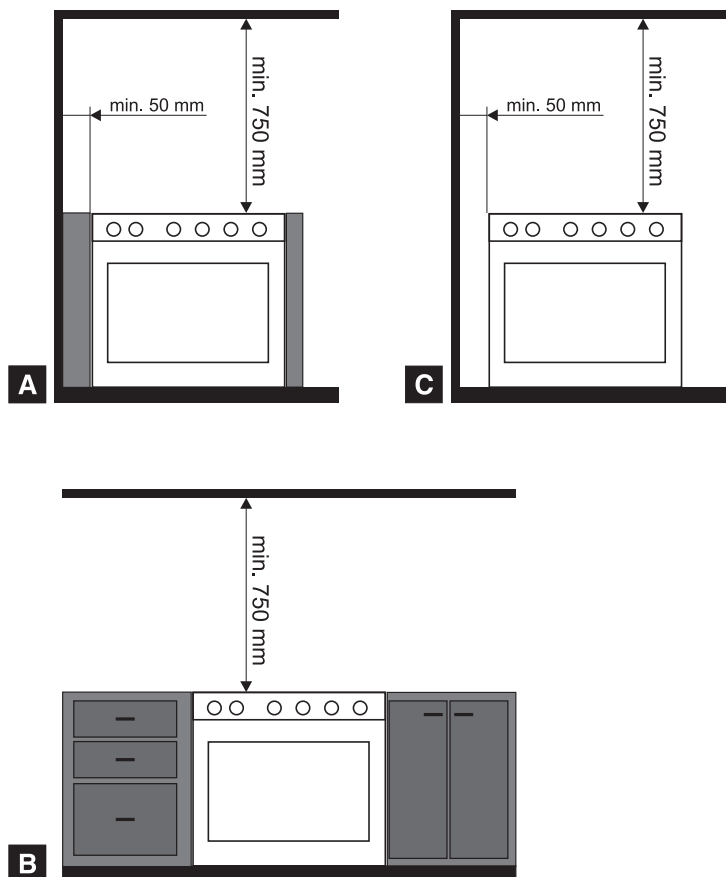
Veneers, adhesives or plastic coatings on adjacent furniture should be temperature-resistant (no less than 90°C). If they are not sufficiently temperature-resistant, they may warp over time.



The appliance must be installed by a qualified technician and according to the standards in force. Depending on the type of installation, this appliance belongs to class 2, subclass 1 (Fig. A - Fig. B) or class 1 (Fig. C).

It may be installed next to walls, one of which must be higher than the appliance, at a minimum distance of 50 mm from the side of the appliance, as shown in figures A and C relative to the installation classes.

Any wall units must be at a minimum distance of at least 750 mm above the appliance. This distance can be reduced to 650 mm if a ventilation hood is installed.



- A** Built-in appliance (Class 2 subclass 1)
- B** Built-in appliance (Class 2 subclass 1)
- C** Free-standing appliance (Class 1)



11.2 Room ventilation and combustion extraction

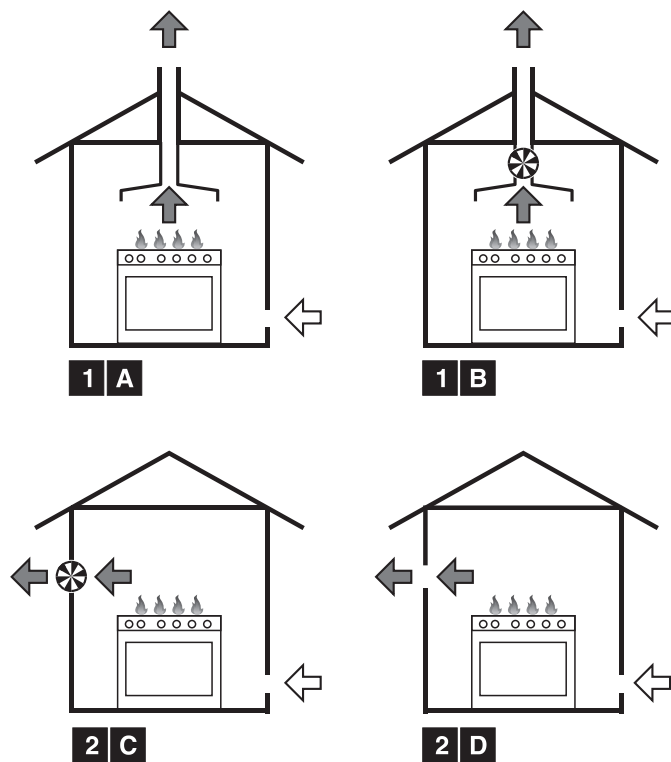


The room containing the appliance should be permanently ventilated in accordance with the standards in force. The room where the appliance is installed must have enough air flow as required for the regular combustion of gas and by the necessary air exchange of the same room. The air vents, protected by grills, must be suitably dimensioned in compliance with current standards and positioned so that no part of them is obstructed.

The appliance must be kept adequately ventilated in order to eliminate the heat and humidity produced by cooking: in particular, after prolonged use, you are recommended to open a window or to increase the speed of any fans.



Combustion products can be extracted by means of hoods connected to a natural draught chimney whose efficiency is assured or via forced extraction. An efficient extraction system requires precision planning by a specialist qualified in this area and must comply with the positions and distances indicated by the standards. When the job is complete, the installer must issue a certificate of conformity.

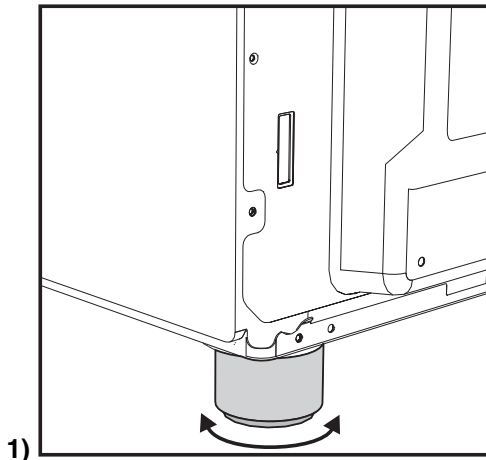


- 1** Extraction using a hood.
 - 2** Extraction without a hood.
 - A** Single natural draught chimney.
 - B** Single chimney with extractor fan.
 - C** Directly outdoors with wall- or window-mounted extractor fan.
 - D** Directly outdoors through wall.
- Air
 - Combustion products
 - Extractor fan

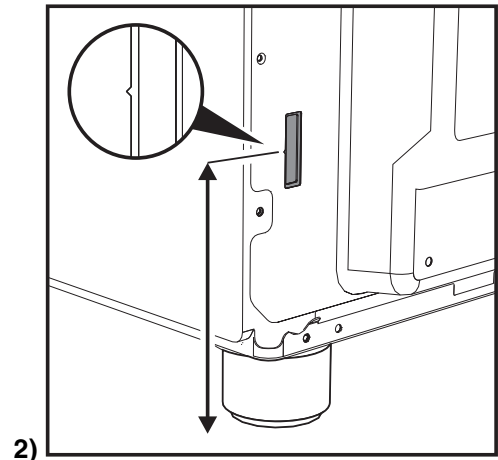


11.3 Wall mounting brackets (where present)

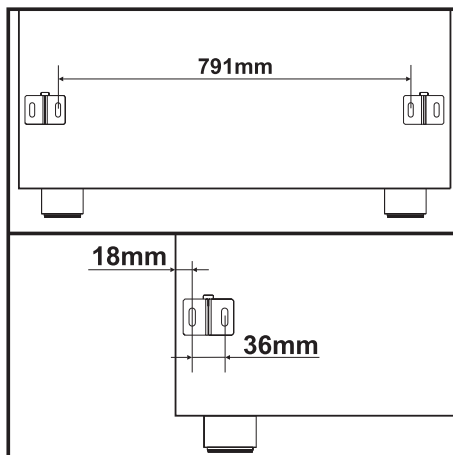
The fastening system provided must be installed to ensure the appliance is stable. If installed correctly, this system prevents the appliance tipping over.



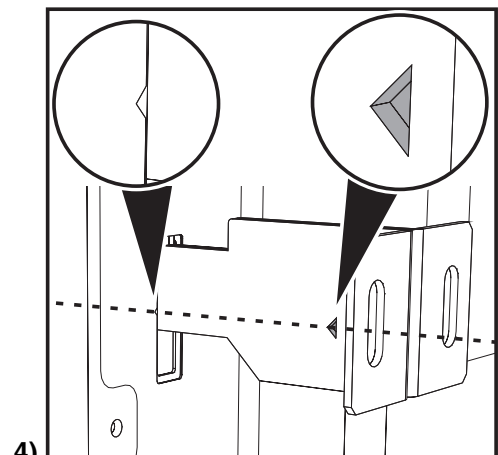
1) Use the adjustable feet to level the appliance at the required height.



2) Measure the distance from the index of the opening to the floor.



3) Use the same height on the wall to drill the holes for fastening the brackets. The distance between the centres of the holes is given in the diagram above.



4) Before tightening the brackets fully to the wall, check that the index on the brackets is at the same height as the index on the back of the appliance. Position the appliance, taking care that the brackets are correctly inserted.



11.4 Electrical connection



Make sure the voltage and the cross-section of the power supply line match the specifications indicated on the identification plate positioned on the appliance. Do not remove this plate for any reason. A copy of the plate is attached to the instructions.



The appliance must be connected to the power supply by a qualified technician.



Before performing any operations, switch off the power supply to the appliance.



The appliance must be connected to earth in compliance with electrical system safety standards.



Where the appliance is connected to the power grid via a plug and socket, both of these must be of the same type and connected to the power cable in accordance with current standards. The socket must be accessible after the appliance has been built in.

NEVER UNPLUG BY PULLING ON THE CABLE.



Should the earthing wire need replacing it must be longer than the current conduction wires so that, if the plug is torn off the power cable, it is the last to be detached.



Avoid use of adapters and shunts as these could cause overheating and risk of burns.



If a fixed connection is being used, fit the power line with an omnipolar circuit breaker with a contact opening gap equal to or greater than **3 mm**, in an easily accessible position close to the appliance.



The manufacturer declines all responsibility for damage to persons or things caused by non-observance of the above prescriptions or by interference with any part of the appliance.

APPLIANCE TYPE (CM)	POSSIBLE CONNECTION TYPES	CABLE TYPE (if not present)
60	<p>380 - 415 V 3N~</p>	<p>5-pole 5 x 2.5 mm² H05V2V2-F</p>
60	<p>380 - 415 V 2N~</p>	<p>4-pole 4 x 4 mm² H05V2V2-F</p>
60	<p>220 - 240 V 1N~</p>	<p>3-pole 3 x 6 mm² H05V2V2-F</p>

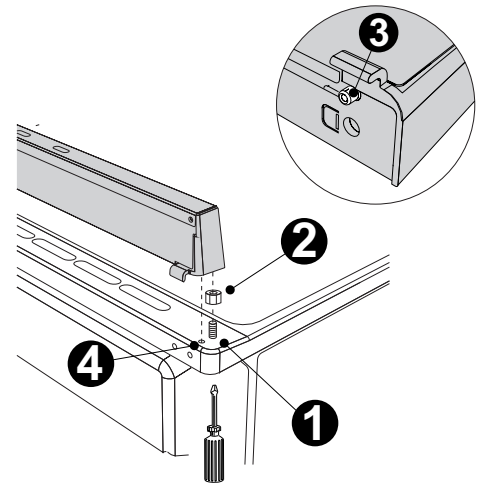


- Use H05V2V2-F cables resistant to at least 90°C.
- The values indicated above refer to the cross-section of the internal conductor.
- The tightening torque of the screws of the terminal supply wires must be 1.5 - 2 Nm.
- The aforementioned power cables are sized taking into account the coincidence factor (in compliance with standard EN 60335-2-6).

11.5 Positioning the skirt (on some models only)

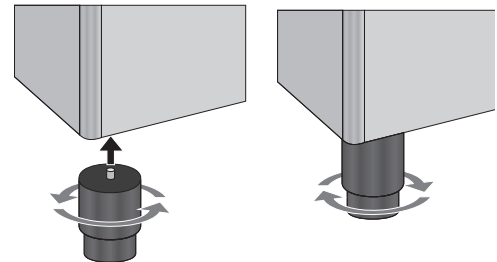
The skirt must always be positioned and secured correctly on the appliance.

- 1 Unscrew the 2 nuts (**B**) on the back of the worktop.
- 2 Position the skirt above the worktop, taking care to align the pins (**C**) with the holes (**D**).
- 3 Secure the skirt to the worktop by tightening screws (**A**).



11.6 Positioning and levelling the appliance

After making the electrical and/or gas connections, level the appliance on the floor by means of its four adjustable feet. First insert the front feet and then the rear feet. The appliance must be properly levelled to ensure better stability. Screw or unscrew the bottom part of the foot until the appliance is stable and level on the floor.



To prevent possible damage to the appliance, we recommend to screw the front feet first and then the rear ones.



914774589/ C