



MANUALE D'USO	IT
GEBRAUCHSANWEISUNG	DE
INSTRUCTION MANUAL	GB
NOTICE D'UTILISATION	FR
GEbruIKSAANWIJZING	NL
BRUKSANVISNING	SV
MANUAL DE USO	ES
MANUAL DE UTILIZAÇÃO	PT
ИНСТРУКЦИЯ ПО ЭКСПЛУАТАЦИИ	RU

FRIGORIFERO

KÜHLSCHRANK

REFRIGERATOR

RÉFRIGÉRATEUR

KOELKAST

KYL-/FRYSSKÅP

FRIGORIFICO

FRIGORIFICO

ХОЛОДИЛЬНИК

---

## it Indice

Avvertenze per lo smaltimento .....	6	Superfreezer .....	16
Avvertenze di sicurezza e pericolo .....	7	Raffreddamento rapido .....	16
Conoscere l'apparecchio .....	9	Massima possibilità di congelamento .....	16
Pannello comandi .....	10	Scongelamento dei prodotti congelati .....	16
Installazione dell'apparecchio .....	11	Risparmiare energia .....	17
Collegare l'apparecchio .....	11	Rumori di funzionamento .....	17
Accendere l'apparecchio .....	12	Eliminare da soli piccoli guasti .....	18
Dotazione .....	13	Servizio assistenza clienti .....	19
Sistemare gli alimenti .....	14		
Congelare e conservare .....	14		
Congelamento di alimenti freschi .....	15		

---

## de Inhaltsverzeichnis

Hinweise zur Entsorgung .....	20	FrISChe Lebensmittel einfrieren .....	28
Sicherheits- und Warnhinweise .....	20	Supergefrieren .....	28
Gerät kennenlernen .....	22	Superkühlen .....	29
Bedienblende .....	23	Maximales Gefriervermögen .....	29
Gerät aufstellen .....	24	Gefriergut auftauen .....	29
Gerät anschließen .....	24	Energie sparen .....	30
Gerät einschalten .....	24	Betriebsgeräusche .....	30
Ausstattung .....	25	Kleine Störungen selbst beheben .....	31
Lebensmittel einordnen .....	26	Kundendienst .....	32
Gefrieren und Lagern .....	27		

---

## en Contents

Information concerning disposal .....	33	Freezing fresh food .....	40
Safety and warning information .....	33	Fast freezing .....	41
Getting to know your appliance .....	35	Super cooling .....	41
Fascia .....	36	Maximum freezing capacity .....	41
Installing the appliance .....	37	Thawing frozen food .....	42
Connecting the appliance .....	37	Tips for saving energy .....	43
Switching on the appliance .....	37	Operating noises .....	43
Interior fittings .....	38	Eliminating minor faults yourself .....	44
Arranging food in the appliance .....	39	Customer service .....	45
Freezing and storing food .....	40		

## Information concerning disposal

### Disposal of packaging

The packaging protects your appliance from damage during transit. All packaging materials are environmentally friendly and recyclable. Please contribute to a better environment by disposing of packaging materials in an environmentally-friendly manner.

Please ask your dealer or inquire at your local authority about current means of disposal.

### Disposal of your old appliance

Old appliances are not worthless rubbish! Valuable raw materials can be reclaimed by recycling old appliances.



This appliance has been identified in accordance with the European directive 2002/96/EG on Waste Electrical and Electronic Equipment – WEEE).

The directive specifies the framework for an EU-wide valid return and recycling of old appliances.

### Warning

Redundant appliances

1. Pull out the mains plug.
2. Cut off the power cord and discard with the mains plug.

Refrigerators contain refrigerants and the insulation contains gases. Refrigerant and gases must be disposed of properly. Ensure that tubing of the refrigerant circuit is not damaged prior to proper disposal.

## Safety and warning information

### Before you switch ON the appliance

Please read the operating and installation instructions carefully. They contain important information on how to install, use and maintain the appliance. Keep all documentation for subsequent use or for the next owner.

### Technical safety

- This appliance contains a small quantity of environmentally-friendly but flammable R600a refrigerant. Ensure that the tubing of the refrigerant circuit is not damaged during transportation and installation. Leaking refrigerant may cause eye injuries or ignite.

#### If damage has occurred

- Keep naked flames and/or ignition sources away from the appliance,
- Thoroughly ventilate the room for several minutes,
- Pull out the mains plug,
- Notify customer service.

The more refrigerant an appliance contains, the larger the room must be. Leaking refrigerant can form a flammable gas-air mixture in rooms which are too small.

The room must be at least 1 m<sup>3</sup> per 8 g of refrigerant. The amount of refrigerant in your appliance is indicated on the rating plate inside the appliance.

- Only customer service may change the power cord and carry out any other repairs. Improper installations and repairs may put the user at considerable risk.

## Important information when using the appliance

- Never use electrical appliances inside the refrigerator (e. g. heater, electric ice maker, etc.). **Explosion hazard!**
- Never use a steam cleaner to defrost or clean the appliance. The steam may penetrate electrical parts and cause a short-circuit. **Risk of electric shock!**
- Do not use pointed or sharp-edged implements to remove frost or layers of ice.
- Do not store products which contain flammable propellants (e. g. spray cans) or explosive substances in the appliance.  
**Explosion hazard!**
- Do not stand or support yourself on the base, drawers or doors, etc.
- Before defrosting and cleaning the appliance, pull out the mains plug or switch off the fuse.  
Do not pull out the mains plug by tugging the cable.
- Bottles which contain a high percentage of alcohol must be sealed and stored in an upright position.
- Keep plastic parts and the door seal free of oil and grease. Otherwise, parts and door seal will become porous.
- Never cover or block the ventilation openings for the appliance.
- Do not store bottled or canned drinks (especially carbonated drinks) in the freezer compartment. Bottles and cans may explode!
- Never put frozen food straight from the freezer compartment into your mouth.  
**Risk of low temperature burns!**

- Avoid prolonged touching of frozen food, ice or the evaporator pipes, etc.  
**Risk of low temperature burns!**
- Do not scrape off hoarfrost or stuck frozen food with a knife or pointed object.  
You could damage the refrigerant tubing. Leaking refrigerant may ignite or cause eye injuries.

## Children in the household

- Keep children away from packaging and its parts. Danger of suffocation from folding cartons and plastic film!
- Do not allow children to play with the appliance!
- If the appliance features a lock, keep the key out of the reach of children.

## General requirements

The appliance is suitable

- for refrigerating and freezing food,
- for making ice.

The appliance is designed for domestic use.

The appliance has been interference suppressed in compliance with EU Directive 89/336/EEC.

The refrigerant circuit has been tested for leaks.

This product complies with the relevant safety regulations for electrical appliances (EN 60335/2/24).

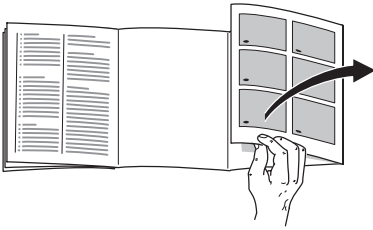
# Getting to know your appliance

The fully automatic No Frost system ensures that no ice is formed inside the appliance. There is no longer any need for defrosting.

## How it works:

The food is frozen by a flow of cold air. The evaporator in the No Frost system cools the air inside the appliance. The cold air is circulated by a fan. The moisture in the air condenses on the evaporator which is defrosted fully automatically whenever necessary.

The thawed water is directed to the refrigerating unit where it evaporates. The freezer section and the frozen food inside are kept free from ice.



Please fold out the illustrated last page. These operating instructions refer to several models.

The illustrations may differ.

**Fig. 1**

- 1 Fascia
- 2 On/Off button
- 3 Light switch
- 4 Interior light
- 5 Pull-out drawer
- 6 Shelf in the refrigerator compartment

- 7 Bottle shelf
  - 8 Fruit and vegetable container
  - 9 Chiller compartment
  - 10 Freezer drawer
  - 11 Freezer shelf
  - 12 Height-adjustable feet
  - 13 Air outlet opening
  - 14 Shelf for tubes and small tins/  
Egg rack
  - 15 Butter and cheese compartment
  - 16 Shelf for large bottles
  - 17 Activated-carbon filter
  - 18 Ice block
- A Refrigerator compartment  
B Freezer compartment

# Fascia

Fig. 2

## 1 On/Off button

## 2 Alarm button

Is used to switch off the temperature warning signal and door warning signal.

The temperature warning signal switches on if the freezer compartment is too warm.

The door warning signal switches on if the appliance door is left open for longer than half a minute.

The frozen food is at risk of thawing if the lamp on the Alarm button also flashes.

The warning signal may switch on without any risk to the frozen food when:

- the appliance is switched on.
- large quantities of fresh food are placed in the freezer.
- the freezer compartment door is open for too long.

## 3 Fast freezing button

Switches fast freezing on and off.

Before placing large quantities of fresh food (more than 2 kg) in the freezer compartment, switch on “fast freeze”.

As a rule, 4–6 hours is adequate. To utilise the maximum freezing capacity, switch on “fast freeze” 24 hours in advance.

After approx. 2½ days the freezer automatically switches back to the temperature set before “fast freeze”.

## 4 Selection button for freezer compartment

The freezer compartment temperature can be set from  $-24\text{ }^{\circ}\text{C}$  to  $-16\text{ }^{\circ}\text{C}$ .

Keep pressing the button until the bargraph has reached the required temperature.

## 5 Temperature display freezer compartment

The numbers on the bargraph correspond to freezer compartment temperatures in  $^{\circ}\text{C}$ .

The bargraph indicates the set temperature.

## 6 Super cooling button

The appliance is on when the button is lit. Super cooling cools the refrigerator compartment as cold as possible for approx. 6 hours. Then the temperature set before super mode is automatically restored.

Switch on super mode, e.g.:

- Before placing a lot of bottles in the refrigerator.
- To cool drinks quickly.

## 7 Selection button for refrigerator compartment

The freezer compartment temperature can be set from  $+2\text{ }^{\circ}\text{C}$  to  $+8\text{ }^{\circ}\text{C}$ .

Keep pressing the button until the bargraph has reached the required temperature.

## 8 Temperature display refrigerator compartment.

The numbers on the bargraph correspond to refrigerator compartment temperatures in  $^{\circ}\text{C}$ .

The bargraph indicates the set temperature.

## Installing the appliance

Install the appliance in a dry, well ventilated room. The installation location should neither be exposed to direct sunlight nor near a heat source, e.g. a cooker, radiator, etc. If installation next to a heat source is unavoidable, use a suitable insulating plate or observe the following minimum distances to a heat source:

3 cm to an electric cooker.

30 cm to an oil or solid-fuel cooker.

Appliances with fitted handles must be situated at least 55 mm from the wall on the hinge side so that the door can be opened by 90°.

## Room temperature

The climatic class can be found on the rating plate and indicates the ambient temperatures at which the appliance can be operated.

Climatic class	Permitted ambient temperature
SN	+10 °C to 32 °C
N	+16 °C to 32 °C
ST	+16 °C to 38 °C
T	+16 °C to 43 °C

## Ventilation

### Fig. 3

The air on the rear panel of the appliance heats up. The warm air must be able to escape. Otherwise, the refrigerator must work harder. This will increase the power consumption.

Therefore: Never cover or block ventilation openings!

## Connecting the appliance

After installing the appliance, wait at least ½ hour before switching on the appliance. During transportation the oil in the compressor may have flowed into the refrigeration system.

Before switching on the appliance for the first time, clean the interior (see Cleaning).

The socket should be freely accessible.

Connect the appliance to 220–240 V/ 50 Hz alternating current via a correctly installed earthed socket. The socket must be fused with a 10 A-fuse or higher.

**If the appliance is to be operated in a non-European country, check on the rating plate whether the indicated voltage and current type correspond to the values of your mains supply. The rating plate is situated in the bottom left-hand side of the appliance. The power cord may be replaced by an electrician only.**

## Switching on the appliance

Press the On/Off **Fig. 2/1** button.

Warning signal is emitted. To stop the warning signal, press the Alarm button.

The Alarm button remains lit until the set temperature has been reached.

## Selecting the temperature

Keep pressing the temperature selection button for the refrigerator compartment or freezer compartment until the required temperature is indicated on the bargraph.

The factory has recommended and set the following temperatures:

Refrigerator compartment      +4 °C

Freezer compartment              -18 °C

Perishable food should not be stored warmer than +4 °C.

## Energy saving mode

If the appliance is not used for approx. 24 hours, the display on the fascia switches to energy saving mode.

Only the required lamps are lit at reduced luminosity.

As soon as the appliance is in use again, e.g. when the door is opened, the display switches back to normal illumination.

## Operating tips

- The fully automatic Nofrost system keeps the freezer compartment and refrigerator compartment free of ice. Defrosting is not required.
- The sides of the housing are sometimes heated slightly. This prevents condensation in the area of the door seal.
- If you cannot open the freezer compartment door immediately after closing it, wait 2–3 minutes until the partial vacuum has equalised.

## Usable capacity

Information on the usable capacity can be found inside your appliance on the rating plate.

## Interior fittings

not all models

### Shelves/containers

If required, you can reposition the interior shelves and containers in the door: Lift the shelf and pull it forwards, lower and swing out to the side. Lift the container and remove.

### Bottle shelf

#### Fig. 4

Bottles can be stored securely on the bottle shelf.

### Temperature and humidity regulator for vegetable container

#### Fig. 5

For **long term storage of vegetables**, lettuce and fruit, slide the regulator all the way to the right. Ventilation opening is open – low air humidity – temperature drops.

For **short term storage** slide the regulator to the left. Ventilation opening is closed – high air humidity – temperature rises.

### Chiller compartment

#### Fig. 6

The chiller compartment has lower temperatures than the refrigerator compartment. Even temperatures below 0 °C may occur. Ideal for storing fish, meat and sausage. Not suitable for lettuce and vegetables and produce sensitive to cold.



## Ice block

### Fig. 7

If a power failure or malfunction occurs, the ice blocks can be used to slow down the thawing process. The longest storage time is obtained by placing the ice block directly on the food in the top compartment.

To save space, the ice block can be stored in the door compartment.

The ice blocks can also be used to cool food temporarily, e.g. in a cold bag.

## Activated-carbon filter

### Fig. 11/17

This filter reduces unpleasant odours in the refrigerator compartment.

## Arranging food in the appliance

### When arranging food, comply with the following:

- Wrap or cover food before placing in the appliance. This will retain the aroma, colour and freshness of the food. Transfer of flavour and discoloration of the plastic parts will also be prevented.
- Allow warm food and drinks to cool down before placing in the appliance!
- Do not block air outlet openings with food in the refrigerator compartment, otherwise the air circulation will be impaired.

Food which is stored directly in front of the air outlet openings may be frozen by the cold air flowing out.

### We recommend arranging the food as follows:

- On the shelves in the refrigerator compartment (from top to bottom): cakes and pastries, ready meals, dairy products, meat and sausage
- In the vegetable container: vegetables, salad, fruit.
- In the chiller compartment: Fish, meat and sausage
- In the door (from top to bottom): butter, cheese, eggs, tubes, small bottles, large bottles, milk, juice cartons.
- In the freezer compartment: Frozen food, ice cubes, ice cream

## Freezing and storing food

### Purchasing deep-frozen food

- Check that the packaging is not damaged.
- Check the sell-by date.
- The temperature of the supermarket freezer should be  $-18^{\circ}\text{C}$  or lower. If not, the storage life of the food is reduced.
- If possible, transport deep-frozen food in an insulated bag and place quickly in the freezer compartment.

### Arranging food in the appliance

Preferably freeze large quantities of food in the top compartments where freezing is particularly quick and therefore also gentle. Place the food over the whole area of the compartments or the freezer drawers.

Food which is already frozen must not come into contact with the food which is to be frozen. If required, move the frozen food to the freezer drawers.

### Storing frozen food

To prevent poor air circulation in the appliance, do not stack food above the stacking limit (not all models).

- To ensure good air circulation in the appliance, insert the freezer drawers all the way.
- If large quantities of food are to be stored in the freezer, all the freezer drawers (except the bottom one) can be taken out of the appliance and the food stacked directly on the freezer shelves. To remove a freezer drawer, pull out all the way, lift at the front and remove.

**Fig. 8**

## Freezing fresh food

### Freezing food yourself

If you are freezing food yourself, use only fresh, undamaged food.

**The following foods are suitable for freezing:**

Meat and sausage products, poultry and game, fish, vegetables, herbs, fruit, cakes and pastries, pizza, ready meals, leftovers, egg yolk and egg white.

**The following foods are not suitable for freezing:**

Eggs in shells, soured cream and mayonnaise, green salads, radishes and onions.

### Blanching vegetables and fruit

To retain colour, flavour, aroma and vitamin C, vegetables and fruits should be blanched prior to freezing.

Blanching is the brief immersion of vegetables and fruit in boiling water.

Literature on freezing and blanching is available in bookshops.

## Packing food

1. Place the food in the wrapping.
2. Press out all the air.
3. Seal the wrapping.
4. Label the wrapping with the contents and date.

### Suitable packaging:

Plastic film, polyethylene blown film, aluminium foil and freezer tins. These products can be purchased from your dealer.

### Unsuitable packaging:

Wrapping paper, greaseproof paper, cellophane, refuse bags and used shopping bags.

### The following products are suitable for sealing the wrapped food:

Rubber bands, plastic clips, string, cold resistant adhesive tape or similar. Bags and polyethylene blown film can be sealed with a film sealer.

## Fast freezing

To prevent an unwanted temperature rise when placing fresh food in the freezer, press the fast freeze button, several hours before placing fresh produce in the freezer. **Fig. 2/3**

As a rule, 4–6 hours is adequate. If max. freezing capacity is to be utilised, 24 hours are required.

“Fast freeze” switches off automatically after 2½ days at the latest.

## Super cooling

Super cooling cools the refrigerator compartment as cold as possible for approx. 6 hours. Then the temperature set before super mode is automatically restored.

Switch on super mode, e. g.:

- Before placing large quantities of food in the refrigerator compartment.
- To cool drinks quickly.

## Maximum freezing capacity

In order to retain the vitamins, nutritional values, appearance and food flavour, ensure that the food is frozen as quickly as possible. Do not exceed the max. freezing capacity of your appliance.

Information about the max. freezing capacity within 24 hours can be found on the rating plate.

## Thawing frozen food

Depending on the type of food and intended use, frozen produce can be thawed as follows:

- At room temperature
- In the refrigerator
- In an electric oven, with/without fan assisted hot air
- In the microwave

### Note

Do NOT refreeze food which is beginning to thaw or which has already thawed. It can only be refrozen when it has been used to prepare a ready meal (boiled or fried).

No longer store the frozen produce for the max. storage period.

## Switching off and disconnecting the appliance

### Switching off the appliance

Press the On/Off **Fig. 2/1** button.

### Disconnecting the appliance

If the appliance is not used for a prolonged period:

1. Pull out the mains plug.
2. Clean the appliance.
3. Leave the appliance door open.

## Cleaning the appliance

- Pull out the mains plug or remove the fuse.
- Take out the frozen food and store in a cool location. Place the ice block (if enclosed) on the food.
- Clean the appliance with lukewarm water and a little washing-up liquid.
- After cleaning: reconnect and switch on the appliance.

### Attention

Do not use abrasive or acidic cleaning agents and solvents.

Clean the door seal with water only and then dry thoroughly.

The cleaning water must not get into the control panel or the light.

- Occasionally clean the rear of the appliance with a vacuum cleaner or paint brush to prevent an increased power consumption.

---

## Tips for saving energy

- Install the appliance in a cool, well ventilated room, but not in direct sunlight and not near a heat source (radiator, cooker, etc.). Otherwise, use an insulating plate.
- Allow warm food and drinks to cool down outside the appliance.
- When thawing frozen food, place it in the refrigerator compartment. The low temperature of the frozen food will then cool the food in the refrigerator compartment.
- Open the appliance door as briefly as possible.
- Occasionally clean the rear of the appliance with a vacuum cleaner or paint brush to prevent an increased power consumption.

---

## Operating noises

### Normal noises

**Humming** – refrigerating unit is running.

**Bubbling, gurgling or whirring noises** – refrigerant is flowing through the tubing.

**Clicking** – motor is switching on or off.

**Cracking** – automatic defrosting is running.

### Noises which can be easily rectified

#### The appliance is not level

Please align the appliance with a spirit level. Use the height-adjustable feet or place something under the feet.

#### The appliance is touching adjacent units or appliances

Please move the appliance away from adjacent units or appliances.

#### Drawers, baskets or storage areas are loose or sticking

Please check the removable parts and, if required, reinsert them.

#### Receptacles are touching each other

Please move bottles or receptacles away from each other.

## Eliminating minor faults yourself

### Before you call customer service:

Please check whether you can eliminate the fault yourself based on the following information.

Customer service will charge you for advice, even if the appliance is still under guarantee!

Fault	Possible cause	Remedial action
Temperature differs greatly from the set value.		<p>In some cases it is adequate to switch off the appliance for 2 minutes.</p> <p>If the temperature still differs try again after an hour.</p> <p>If the temperature is too <b>high</b> wait a few hours and check whether the temperature has approached the set value.</p> <p>If the temperature is too <b>low</b> check the temperature again the next day.</p>
Light does not function.	The bulb is defective.	<p>Change the bulb: <b>Fig. 9</b></p> <ol style="list-style-type: none"> <li>1. Pull out the mains plug or disconnect the fuse.</li> <li>2. Change the bulb (replacement bulb max. 15 W, 220–240 V a.c., E14 lampholder).</li> </ol>
	Light switch is sticking. <b>Fig. 11/3</b>	Check whether it can be moved.
Display on fascia is lit at reduced luminosity.	If the appliance is not used for approx. 24 hours, the display on the fascia switches to energy saving mode.	As soon as the appliance is used again, e.g. door opened, the display switches back to normal luminosity.
Displays do not illuminate.	Power failure; the fuse has been switched off; the mains plug has not been inserted properly.	Check whether the power is on, the fuse must be switched on.

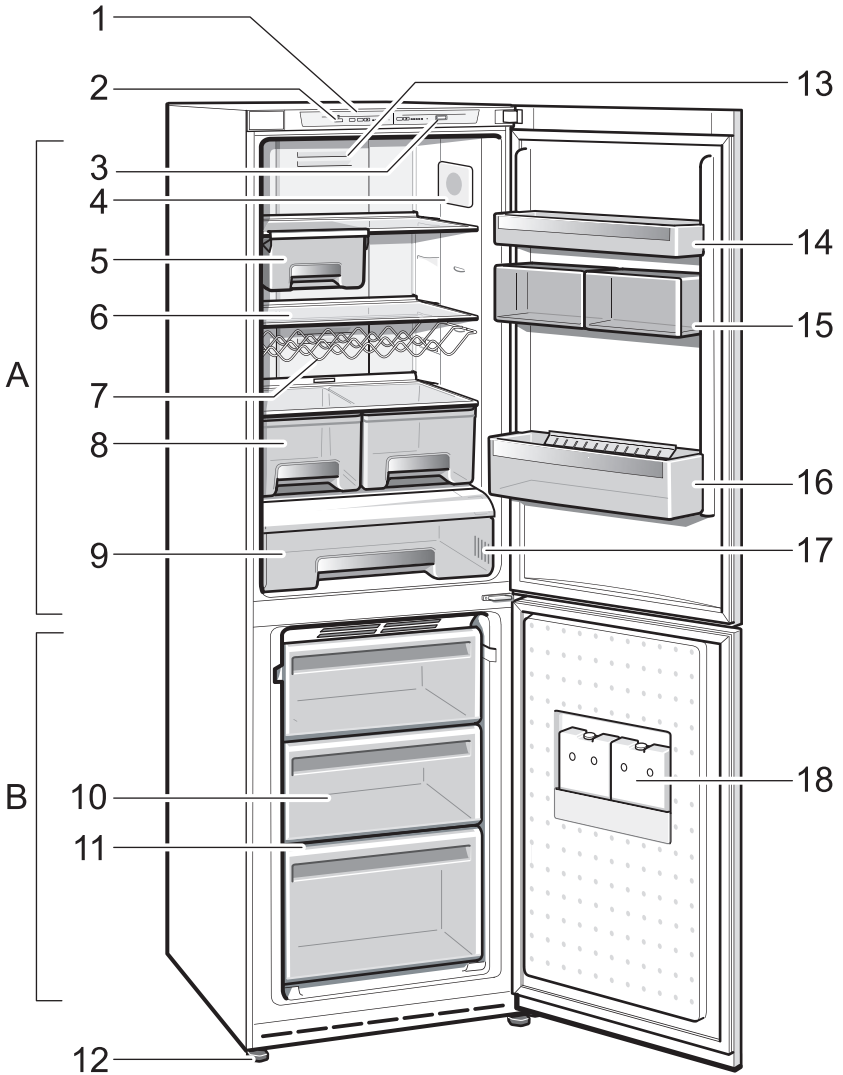
Fault	Possible cause	Remedial action
The temperature in the freezer compartment is too warm.	<ul style="list-style-type: none"> <li>Freezer compartment door is open.</li> <li>The ventilation openings are blocked.</li> <li>Too much food was placed in the freezer compartment at once.</li> </ul>	<p>Close the door.</p> <p>Ensure that there is adequate ventilation.</p> <p>Do not exceed max. freezing capacity.</p>
Freezer compartment door was open for a long time; temperature is no longer reached.	The evaporator (refrigeration generator) in the Nofrost system is covered in thick ice and can no longer be defrosted fully automatically.	<p>To defrost the evaporator, remove the frozen food with the compartments, insulate well and store in a cool location.</p> <p>Switch off the appliance and move it away from the wall. Leave the appliance door open.</p> <p>After approx. 20 min. the condensation begins to run into the evaporation pan, <b>Fig. 10</b> at the rear of the appliance. To prevent the evaporation pan from overflowing in this case, mop up the condensation with a sponge.</p> <p>The evaporator is defrosted when the water stops running into the evaporation pan. Clean the interior. Switch the appliance back on again.</p>

## Customer service

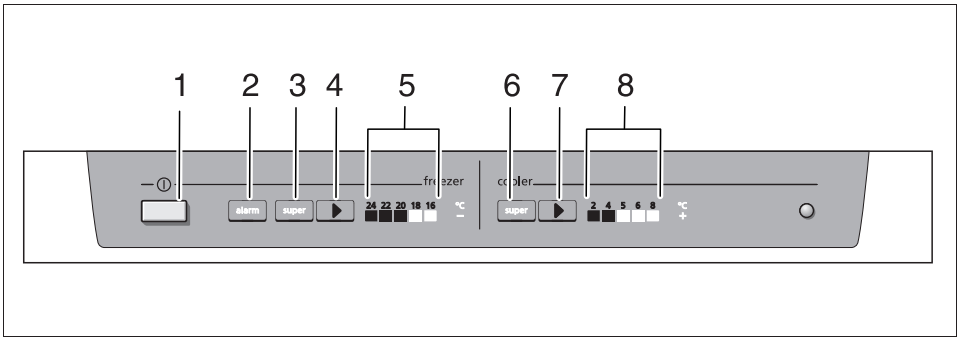
Your local customer service can be found in the telephone directory or in the customer service index. Please provide customer service with the appliance product number (E-Nr.) and production number (FD).

This information can be found on the product label. **Fig. 11**

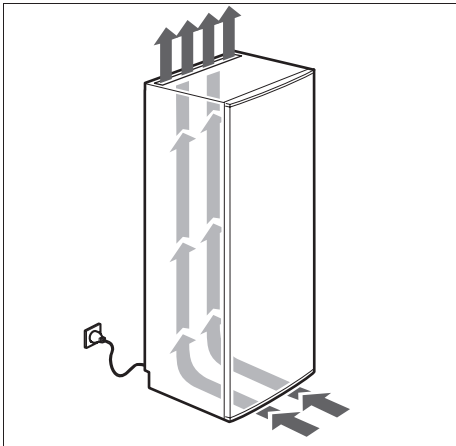
To prevent unnecessary call-outs, please assist customer service by quoting the product and production numbers. This will save you additional costs.



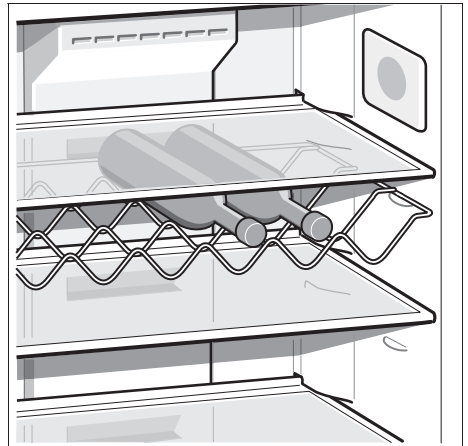




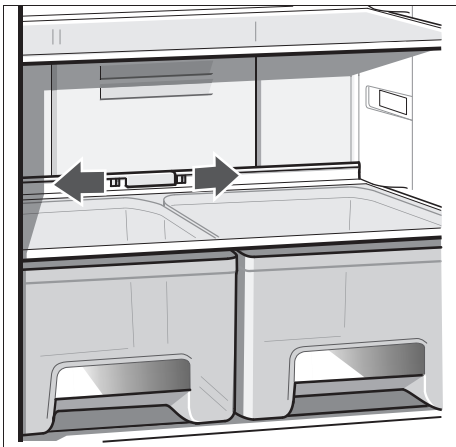
**2**



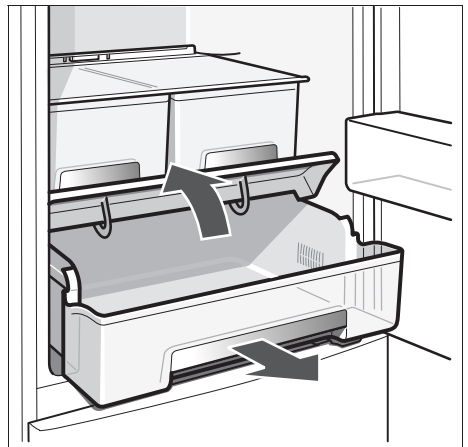
**3**



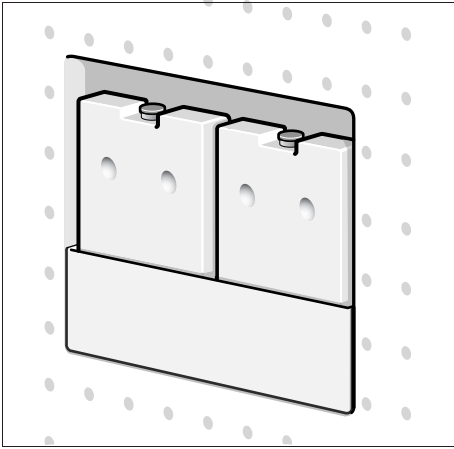
**4**



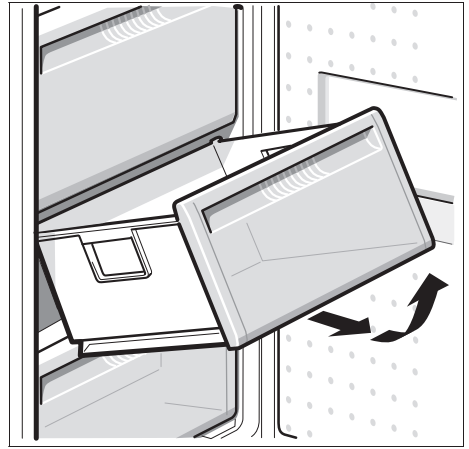
**5**



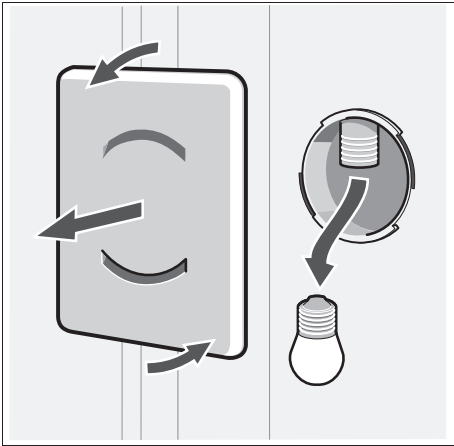
**6**



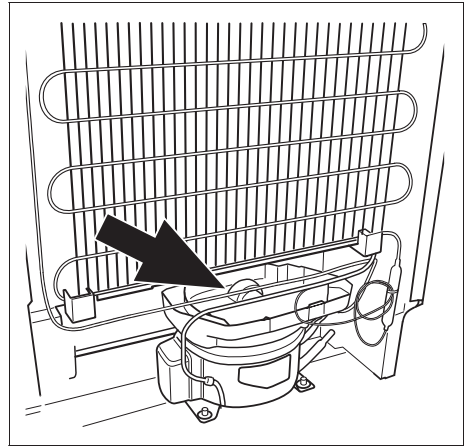
7



8



9



10



11

## SMEG IN THE WORLD

### Headquarters

Smeg S.p.A.  
Via Leonardo da Vinci, 4  
42016 Guastalla (RE)  
Tel. +39 0522 8211  
Fax Italia. +39 0522 821452  
Fax Export. +39 0522 821455  
E-mail. [commerciale.incasso@smeg.it](mailto:commerciale.incasso@smeg.it)  
[www.smeg.it](http://www.smeg.it)

### Subsidiaries

#### Belgium

N.V. SMEG BELGIUM S.A.  
Schoonmansveld 12  
2870 Puurs  
Tel. +32 (0) 3 8609696  
Fax. +32 (0) 3 8860666  
E-mail. [info@smeg.be](mailto:info@smeg.be)  
[www.smeg.be](http://www.smeg.be)

#### France

SMEG FRANCE S.A.  
9, rue Linus Carl Pauling  
B.P. 548  
76824 Mont Saint Aignan  
Cedex  
Tel. +33 (0) 235 121414  
Fax. +33 (0) 235 607077  
E-mail. [smeg@smeg.fr](mailto:smeg@smeg.fr)  
[www.smeg.fr](http://www.smeg.fr)

#### Germany

SMEG HAUSGERÄTE GmbH  
Carl-Zeiss-Ring, 8-12  
D-85737 Ismaning (München)  
Tel. +49 (0) 89 9233480  
Fax. +49 (0) 89 92334819  
E-mail. [smeg@smeg.de](mailto:smeg@smeg.de)  
[www.smeg.de](http://www.smeg.de)

#### Great Britain

SMEG (UK) LTD  
3 Milton Park,  
Abingdon Oxon OX14 4RN  
Tel. +44 (0) 1235 861120  
Fax. +44 (0) 1235 861120  
E-mail. [sales@smeguk.com](mailto:sales@smeguk.com)  
[www.smeguk.com](http://www.smeguk.com)

#### Holland

SMEG NEDERLAND B.V.  
Veemkade, 384  
1019 HE AMSTERDAM  
Tel. +31 (0) 20 4490120  
Fax. +31 (0) 20 3582640  
E-mail. [info@smeg.nl](mailto:info@smeg.nl)  
[www.smeg.nl](http://www.smeg.nl)

#### Portugal

SMEG PORTUGAL, Lda  
Av. da Quinta Grande, 53°- 8° A  
2614-521 Ed. Prime Alfragide  
Amadora (Portugal)  
Tel. +351 214 704 360  
Fax. +351 214 704 361  
E-mail. [comercial@smeg.pt](mailto:comercial@smeg.pt)  
[www.smeg.pt](http://www.smeg.pt)

### Russia

SMEG RUSSIA  
Russia, 121108, Moscow  
Minskaia str., 1G- f.18  
«Zolotyë Kliuchi II»  
Tel. +7 495 645 9651  
Fax. +7 495 645 9661  
E-mail. [smeg-russia@smeg.com](mailto:smeg-russia@smeg.com)  
[www.smeg.ru](http://www.smeg.ru)

### Spain

SMEG ESPANA, S.A.  
c/Hidráulica, 4 – P.I. La Ferreria  
08110 Montcada i Reixac (Barcelona)  
Tel. +34 (0) 93 5650250  
Fax. +34 (0) 93 5644310  
E-mail. [smeg@smeg.es](mailto:smeg@smeg.es)  
[www.smeg.es](http://www.smeg.es)

### Showroom Madrid

Tel. +34 (0) 91 4008172  
Fax. +34 (0) 91 4008176  
E-mail. [showroom.madrid@smeg.es](mailto:showroom.madrid@smeg.es)

### Sweden

SMEG SVERIGE AB  
Dockplatsen 1  
21119 Malmö  
Tel: +46 (0) 40 669 54 90  
Fax. +46 (0) 40 669 54 99  
E-mail. [info@smeg.se](mailto:info@smeg.se)  
[www.smeg.se](http://www.smeg.se)

### USA

SMEG USA  
A & D Building  
150 E 58th Street – 7th Floor  
Suite 0762  
New York, NY 10155  
Tel. +1 212 265 5378  
Fax. +1 212 265 5945  
Toll free. +1 866 736 7634  
E-mail. [info@smegusa.com](mailto:info@smegusa.com)  
[www.smegusa.com](http://www.smegusa.com)

### Representative Offices

#### Hong Kong

Unit 301, 3/F  
Tai Yip Building  
141 Thomson Road  
Wanchai, Hong Kong  
Tel. +852 2328 2103  
Fax. +852 2328 2117  
E-mail. [daniel.yiu@smeg.it](mailto:daniel.yiu@smeg.it)

#### Saudi Arabia

P.O. Box 51689  
Jeddah 21553  
Tel. +966 2  
6503679/6529024  
Fax. +966 2 6511099  
E-mail. [mohammed.hamoudeh@smeg.it](mailto:mohammed.hamoudeh@smeg.it)