

# BEDIENUNGSANWEISUNG

mit Montageanweisungen

Instrucciones de Uso y Montaje

Instructions for use and installation

Instructions d'utilisation e avis de montage

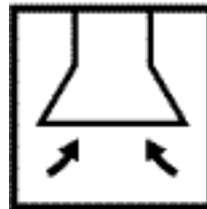
Instruções de uso com indicações para montagem

Istruzioni di uso e di montaggio

Bruks- och monteringsanvisningar

Gebruiksaanwijzing en montagehandleiding

Εγχειρίδιου με τις Οδηγίες Χρήσεως



KD 90.0 E (702132)

KD 60.0 E (702133)

(Rev. 0)

**Küppersbusch**  
ALLERFEINSTE KÜCHENTECHNIK

Dear client:

Congratulations on your choice. We are sure that this modern, functional and practical appliance, made with top quality materials, will fully satisfy your needs.

Please read every section of this INSTRUCTIONS MANUAL before using your kitchen hood for the first time, to ensure maximum performance from the appliance and to avoid breakdowns, which may be caused by incorrect use, as well as to allow any minor problems to be solved.

Store this manual, as it will provide useful information about your kitchen hood at all times and will also help other people to use it.

### Safety Instructions

ENG

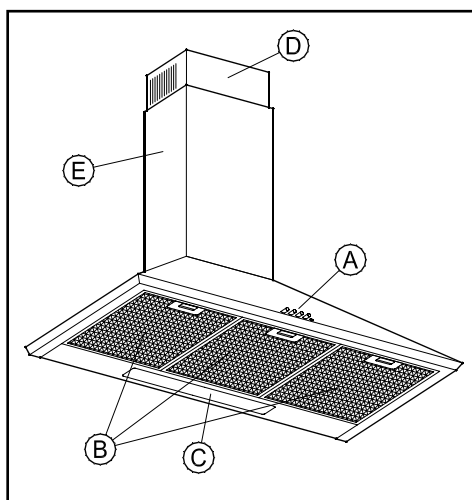
- Please be aware of current local regulations with reference to domestic electrical fittings and gas education.
- Verify that the tension and frequency of the network match those indicated on the label located inside the kitchen hood.
- The appliance must be connected to the network using a break switch with a universal cut off and minimum contact separation of 3 mm. THE NET CABLE MUST NOT BE SUBSTITUTED.
- Once the kitchen hood has been installed, ensure that the mains cable to the network is not in contact with any live metal edges.
- Avoid connecting the appliance to conductors used as exits for fumes produced by a non-electric energy source, e.g.: boilers, chimneys, etc.
- If the extractor fan is going to be used simultaneously with equipment powered by a non-electric energy source, e.g.: gas cookers, the room must have sufficient ventilation.
- Excessive fat accumulation in the kitchen hood and metal filters is a fire risk and may also cause dripping, therefore the inside of the kitchen hood and the metal filters must be cleaned at least once a month.
- The lower part of the kitchen hood must be fitted at least 50 cm. over electric hobs and 65 cm. over gas or mixed hobs. FOLLOW THE HOBS' MANUFACTURER'S MINIMUM RECOMMENDATIONS.
- Never leave gas hobs lit if not covered by a container. The fat accumulated in the filters may drip or catch fire when the temperature increases.
- Avoid cooking under the kitchen hood if the metal filters are not fitted, e.g.: while they are being cleaned in the dishwasher.
- You must not produce flames under the kitchen hood.
- Disconnect the appliance before any interior manipulation, e.g. during cleaning or maintenance.
- We recommend the use of gloves and to be extremely careful when cleaning the kitchen hood's interior.
- Your kitchen hood is designed for domestic use and only for extraction and purification of fumes produced during food preparation. It will be your responsibility if it is used for other purposes, which may be dangerous. The manufacturer cannot accept responsibility for damage caused by improper use of the appliance.
- For repairs please contact the nearest **KÜPPERSBUSCH** Technical Assistance Service, and always use genuine spare parts. Repairs or modifications carried out by unqualified personnel can cause malfunctions or may damage the appliance, putting your safety in danger.

## Index

	Page
<b>Description of the appliance</b>	<b>15</b>
<b>Instructions for use</b>	<b>15</b>
<b>Cleaning and maintenance</b>	<b>16</b>
<b>Problem solving</b>	<b>16</b>
<b>Sizes and specifications</b>	<b>17</b>
<b>Accessories supplied</b>	<b>18</b>
<b>Installation</b>	<b>18</b>
<b>Active charcoal filters</b>	<b>18</b>

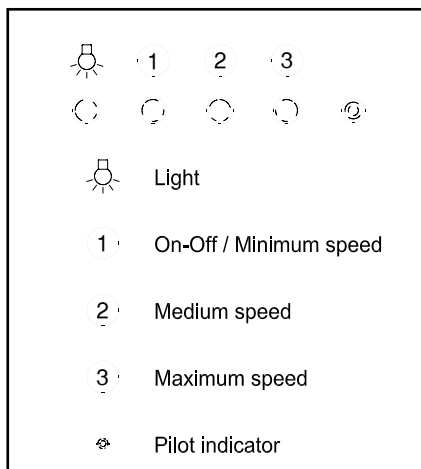
### Description of the appliance

- A** On/ Off Push button control, speed selector, light and working pilot.
- B** Metal filters.
- C** Lamp with two bulbs - 40 W (E-14).
- D, E** Vertically adjustable tubecovers.



### Instructions for use

You may control the kitchen hood by operating the controls as shown in the diagram.



Switch on the extractor fan a few minutes before you start to cook in order to ensure that a steady air flow has been established before fumes appear.

Allow the extractor fan to run for several minutes after you have finished cooking (between 3 to 5 minutes) in order to expel all the grease from the outlet duct. This prevents the return of grease, smoke and smells.

ENG

### Cleaning and maintenance

**During cleaning and maintenance work, make sure the safety instructions set out on page 14 are complied with.**

#### Cleaning the hood body

- If your kitchen hood is made from stainless steel, use proprietary cleaners mentioned in the product instructions.
- If your kitchen hood is painted, use lukewarm water and a neutral soap.
- Never use metallic scourers, nor abrasive or corrosive products.
- Dry the kitchen hood using a cloth that does not produce fibres.

#### Cleaning the metal filters

To remove the filters from their fittings, press lightly on the locks and then pull them off.

The metal filters can be cleaned by soaking them in hot water with neutral detergent until the fat dissolves and then rinsing them under the tap or using special anti-grease products. They can also be washed in a dishwasher. In this case, it is advisable to stack them vertically to avoid food residues to stick to them.

Cleaning in a dishwasher may damage the metallic surface (blackening it), although this will not affect its fat retention capacity.

Once clean, leave them to dry off and then fit them onto the kitchen hood.

#### Changing light bulbs

Proceed as follows:

- Remove the metal filters.
- Change the broken/burnt out lamp.  
Maximum lamp power is 40 W (E-14).
- Fit the metal filters.

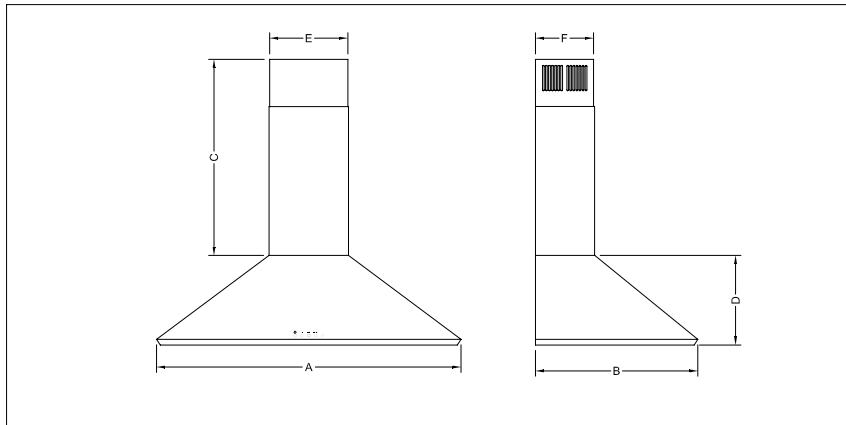
ENG

### Problem solving

Proceed with the following checks before calling the Technical Service:

Problem	Possible cause	Solution
The extractor fan does not work.	The mains cable is not connected to the network.  There is no current in the network.	Connect mains cable to the network.  Provide current to the network.
The kitchen hood does not extract sufficiently or vibrates.	Filters are saturated with fat.  Obstruction in the air exit conduct.	Change or clean the active charcoal and/or metal filters, as the case may be.  Remove the obstruction.
The lamps do not light up.	The lamps are blown.  The lamps are slack.	Change the lamps.  Tighten the lamps.

**Sizes and specifications**



A	B	C		D	E	F
		MIN	MAX			
600/900	480	440	870	265	235	175

**Küppersbusch** Mod. KD 60.0/90.0 E

F.Nr\*\*\*\*\*

POTENCIA NÓM. LÁMPARAS  
 NENNLEISTUNG LAMPEN  
 LAMPS POWER  
 PUISSANCE LAMPES  
 POTENCIA NÓM. DAS LAMPADAS  
 POTENZA LAMPADINE  
 VERMOGEN LAMP  
 LAMPOR POTENTIAL

2 x 40 W / M 135 W

AC 220 - 240 V 50 Hz

**F-PTX**  
 Tec. Cod. \*

**ENG**

Technical Code	Network Tension (V)	Network Frequency (Hz)	Lights/ Motor Power (W)	Motor Volume
*	220 – 240	50	2 x 40/ 135	500 m <sup>3</sup> / h
*	220 – 240	50	2 x 40/ 250	800 m <sup>3</sup> / h

\* Check Characteristics label inside the hood.

**KÜPPERSBUSCH** reserves the right to make changes and corrections to its products as it deems necessary, without altering their basic characteristics.

**Accessories supplied**

- 1 Ø150/ 120 mm reduction.
- 1 Anti-recoil valve.
- 1 Support for tubecover.
- 4 Wall plugs (Ø8 x 40).
- 4 Long bolts (Ø5 x 45).
- 2 Wall plugs (Ø6 x 30).
- 2 Long bolts (Ø4 x 30).
- 2 Washers (Ø6.4 x Ø18).
- 2 Screws (Ø3.9 x 13).
- 2 Clips.

**Installation****Fig. 1 (Page 19)**

**On installing the kitchen hood make sure that the Safety Instructions set out on page 14 are complied with.**

To obtain optimum performance, the external conduct must be no more than FOUR METRES LONG, have no more than two 90° angles and its diameter must be at least Ø120.

- 1) Trace and drill the points for fitting the wall plugs onto the wall (A1) (Ø8 x 40). See figure 1.
- 2) Fit the wall plugs (A1) (Ø8 x 40) and screw in the long bolts (A2) (Ø5 x 45) leaving them protruding 5 mm out of the wall.
- 3) Attach the kitchen hood to the long bolts (A2) (Ø5 x 45). Straighten the appliance and tighten the long bolts.
- 4) Trace the location of the wall plugs (R) (Ø8 x 40), through the inside of the kitchen hood.
- 5) Loosen the long bolts (A2) (Ø5 x 45) and take the kitchen hood off.
- 6) Drill into the wall and fit the wall plugs (R) (Ø8 x 40).
- 7) Attach the kitchen hood, tighten the long bolts (A2) (Ø5 x 45) and (S) (Ø5 x 45) with the washers (T) (Ø6.4 x Ø18).
- 8) Mount the tubecovers. Lift the upper

tubecover up to the desired height and mark its shape on the wall. Remove the tubecovers.

- 9) Fit the clips (F) to the support (C).
- 10) Center the support (C) around the shape marked; trace and drill the fixing points for the wall plugs (E) (Ø6 x 30). Attach the support (C) with the long bolts (D) (Ø4 x 30).
- 11) Fit the part (A) if the inner tube (not supplied) is Ø150 or (A) + (B) if it is Ø120.
- 12) Attach the inner tube with a clamp (not supplied) to (A) or (B) as the case may be.
- 13) Once the inner tube is fitted, fit the lower tubecover around the extractor fan outlet and attach the upper tubecover with the screws (G) (Ø3.9 x 13).

**Active charcoal filters (Optional)**

When exterior gas extraction is not possible, then the kitchen hood may be set to purify the air by recycling it through active charcoal filters.

The active charcoal filters have an active life of between three to six months, depending on the individual conditions of use. These filters cannot be washed nor regenerated. They must be replaced once their useful life comes to an end.

**Fig. 2 (Page 19)**

- 1) Put the filters into the lateral draught section of the motor making the holes in the filters match up (A) with the pivots (B) of the motor carcass. Turn as indicated in the diagram.
- 2) Remove the tubecovers (E). Use the wall plugs and the previously installed upper tubecover's support long bolts to fix diffuser into the wall (C).
- 3) Connect the diffuser base (C) to the motor exit via the inner tube (not supplied). Use clamps (Not supplied). Fit the tubecovers (E) again.

